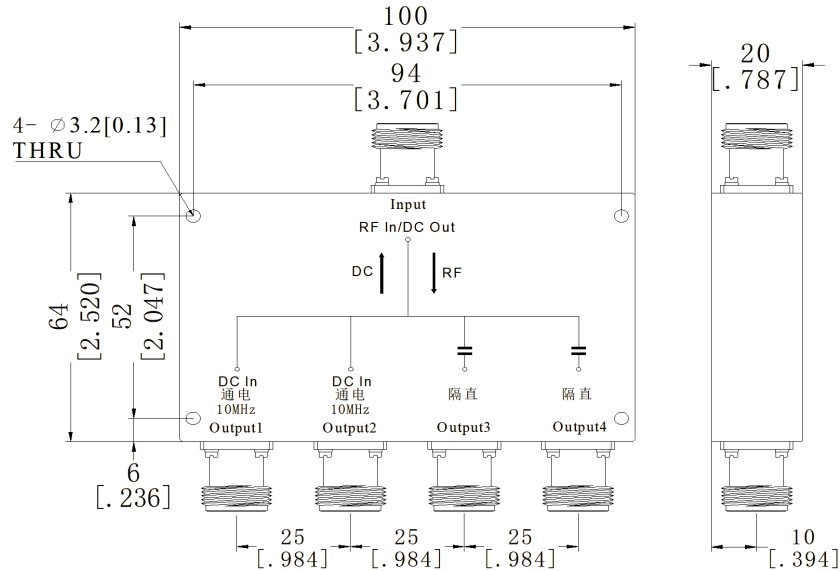


## N 4 Way Microstrip Power Divider, RPDE07F205N4 700-2500MHz, 30W , DC Block

### Dimensions(mm) Tolerance±1%



### Electrical & Environmental

<b>Frequency Range</b>	700-2500MHz	<b>Impedance</b>	50 Ohm
<b>Input Port VSWR</b>	1.25 max (Typ.1.18)		
<b>Output Port VSWR</b>	1.2 max (Typ.1.12)		
<b>Insertion Loss</b>	0.5dB max (Excluding theoretical loss未含理论损耗6.0dB)		
<b>Isolation</b>	20dB min (Typ.26dB)		
<b>Amplitude Balance</b>	± 0.3dB		
<b>Phase Balance</b>	±4°		
<b>Input Avg Power</b>	30 Watts max @25°C (Derate linearly to 3 Watt at 100°C) (Combiner合路器用时2W)		
<b>Power Supply</b>	28V		
<b>Operating Temp</b>	-45°C ~ +85°C		

### Mechanical & Product Information

<b>Product Number</b>	RPDE07F205N4, DC Block	<b>Way</b>	4
<b>Connector</b>	N Female	<b>Connector Body</b>	Ternary alloy plated brass
<b>Center Contact</b>	Gold plated beryllium copper		
<b>Housing</b>	Black paint		
<b>Dimensions</b>	64×100×20mm	<b>Net Weight</b>	-