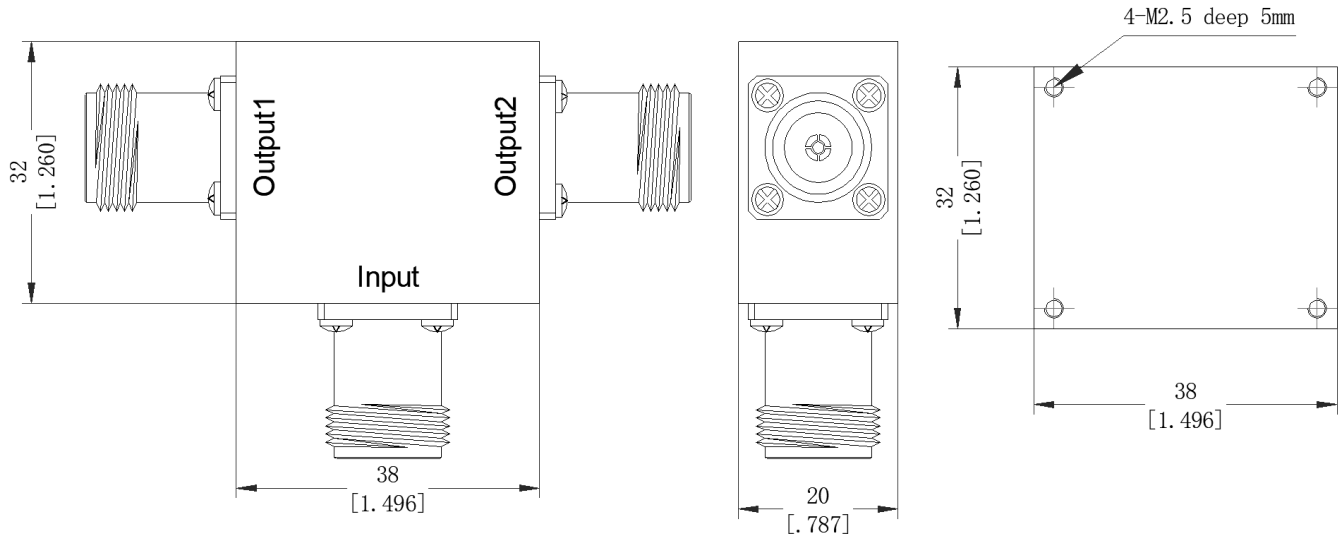




N 2 Way Resistive Power Divider, RPD6N2 DC-6GHz, 2W

Dimensions(mm) Tolerance $\pm 1\%$



Electrical & Environmental

Frequency Range	DC-6GHz	Impedance	50 Ohm
Input Port VSWR	1.25 max (Typ.1.11)	Output Port VSWR	1.25 max (Typ.1.10)
Insertion Loss	7.5dB max		
Isolation	5.6dB min		
Amplitude Balance	± 0.3 dB	Phase Balance	$\pm 3^\circ$
Input Avg Power	2 Watts max @25°C (Derate linearly to 0.2 Watt at 100°C)		
Operating Temp	-35°C ~ +75°C		

Mechanical & Product Information

Product Number	RPD6N2	Way	2
Connector	N Female	Connector Body	Ternary alloy plated brass
Center Contact	Gold plated beryllium copper		
Housing	Sandblasting natural color conductive oxidation		
Dimensions	32×38×20mm	Net Weight	About 98.0g



N 2 Way Resistive Power Divider, RPD6N2

DC-6GHz, 2W

Typical Test Data

