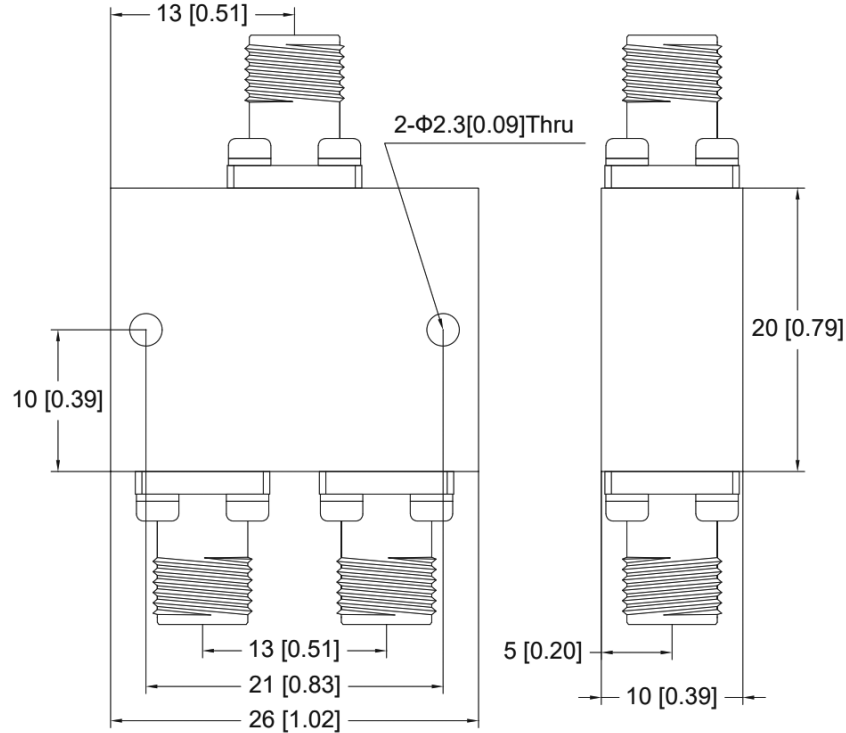


## 2.4mm 2 Way Microstrip Power Divider, RPD6F50U2 6-50GHz, 10W, P-Grade

Dimensions(mm) Tolerance $\pm 1\%$



### Electrical & Environmental

Frequency Range	6-50GHz	Impedance	50 Ohm
Input Port VSWR	1.6 max	Output Port VSWR	1.6 max
Insertion Loss	2dB max , Typ 1.5dB (Does not contain theory loss)		
Isolation	15dB min		
Amplitude Balance	$\pm 0.4$ dB	Phase Balance	$\pm 6^\circ$
Input Avg Power	10 Watts max @25°C (Derate linearly to 1 Watt at 100°C)		
Operating Temp	-40°C ~ +85°C		

### Mechanical & Product Information

Product Number	RPD6F50U2, P-Grade	Way	2
Connector	2.4mm Female	Connector Body	Passivated stainless steel
Center Contact	Gold plated beryllium copper		
Housing	6063 Aluminum alloy, Blue Paint		
Dimensions	26×20×10mm	Net Weight	About 25.0g