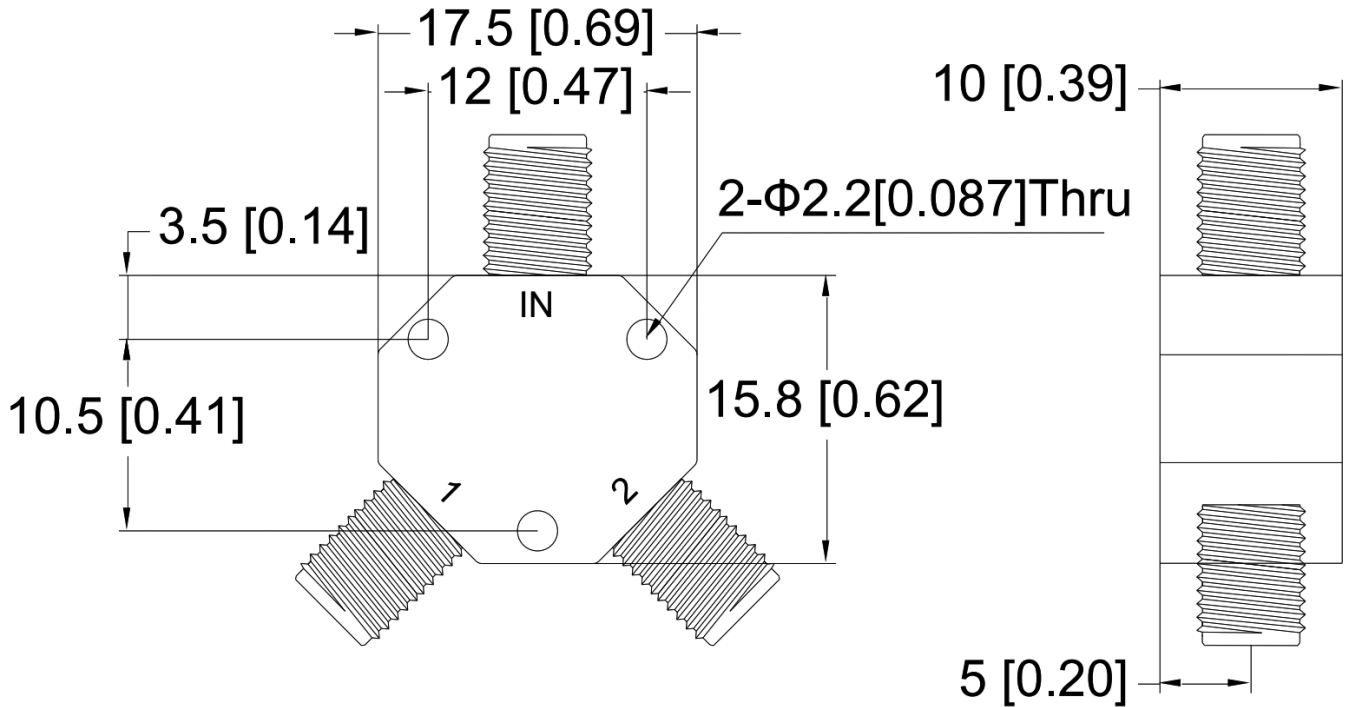




## 1.85mm 2 Way Resistive Power Divider, RPD67F2-C DC-67GHz, 1W, P-Grade, High Isolation

Dimensions(mm) Tolerance $\pm$ 1%



### Electrical & Environmental

Frequency Range	DC-67GHz	Impedance	50 Ohm
Input Port VSWR	1.8 max	Output Port VSWR	2.5 max
Insertion Loss	2.5dB max , Typ 1.8dB (Does not contain theory loss 6dB)		
Isolation	10dB min (DC-60GHz); Typ 10dB (60-67GHz)		
Amplitude Balance	$\pm$ 0.8dB	Phase Balance	$\pm$ 8°
Input Avg Power	1 Watts max @25°C		
Operating Temp	-40°C ~ +85°C		

### Mechanical & Product Information

Product Number	RPD67F2-C, P-Grade, High Isolation	Way	2
Connector	1.85mm Female	Connector Body	Passivated stainless steel
Center Contact	Gold plated beryllium copper		
Housing	6062 Aluminum alloy, Blue Paint		
Dimensions	17.5 $\times$ 15.8 $\times$ 10mm	Net Weight	About 25.0g



# 1.85mm 2 Way Resistive Power Divider, RPD67F2-C DC-67GHz, 1W, P-Grade, High Isolation

## Typical Test Data

