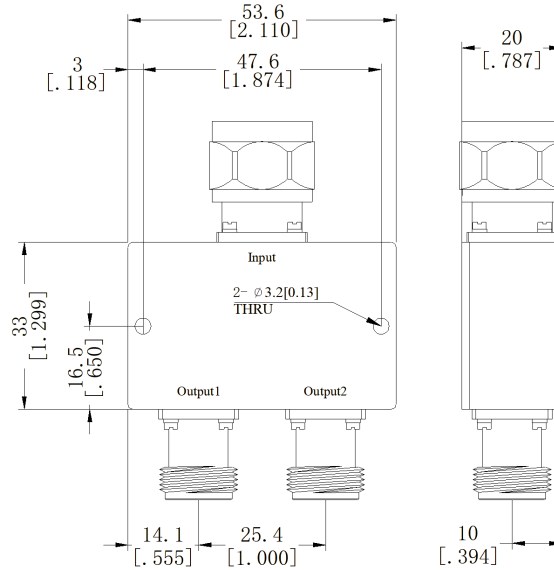


N 2 Way Microstrip Power Divider, RPD5F6N2 5-6GHz, 10W

Dimensions(mm) Tolerance±1%



Electrical & Environmental

Frequency Range	5-6GHz	Impedance	50 Ohm
Input Port VSWR	1.2 max (Typ.1.16)		
Output Port VSWR	1.2 max (Typ.1.12)		
Insertion Loss	0.3dB max (Excluding theoretical loss未含理论损耗3.0dB)		
Isolation	20dB min (Typ.26dB)		
Amplitude Balance	± 0.2 dB		
Phase Balance	$\pm 3^\circ$		
Input Avg Power	10 Watts max @25°C (Derate linearly to 1 Watt at 100°C) (Combiner合路器用时1W)		
Operating Temp	-40°C ~ +85°C		

Mechanical & Product Information

Product Number	RPD5F6N2	Way	2
Connector	N Male	Connector Body	Ternary alloy plated brass
Center Contact	Gold plated beryllium copper		
Housing	Black paint		
Dimensions	33×53.6×20mm	Net Weight	About 150.0g