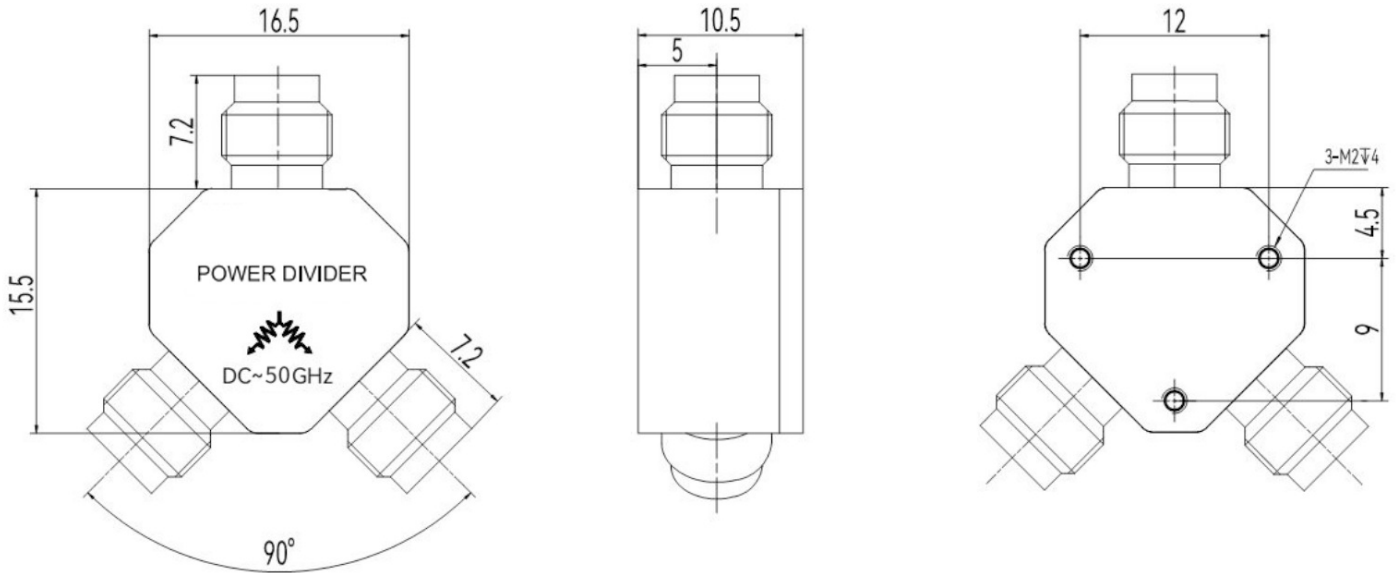




2.4mm 2 Way Resistive Power Divider, RPD50U2 DC-50GHz, 0.5W, JP-Grade

Dimensions(mm) Tolerance±1%



Electrical & Environmental

Frequency Range	DC-50GHz	Impedance	50 Ohm
Input Port VSWR	1.95 max	Output Port VSWR	1.95 max
Insertion Loss	8.1dB max		
Isolation	9dB min		
Amplitude Balance	± 0.5dB	Phase Balance	±5°
Input Avg Power	0.5 Watts max @25°C		
Operating Temp	-20°C ~ +70°C		

Mechanical & Product Information

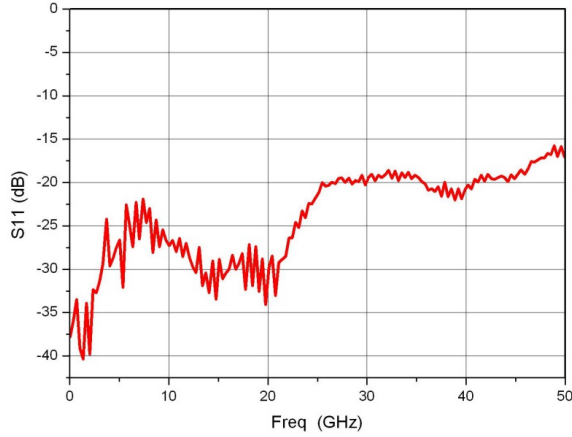
Product Number	RPD50U2, JP-Grade	Way	2
Connector	2.4mm Female	Connector Body	Passivated stainless steel
Center Contact	1.27um Gold plated beryllium copper		
Housing	Passivated stainless steel		
Dimensions	15.5×16.5×10.5mm	Net Weight	-



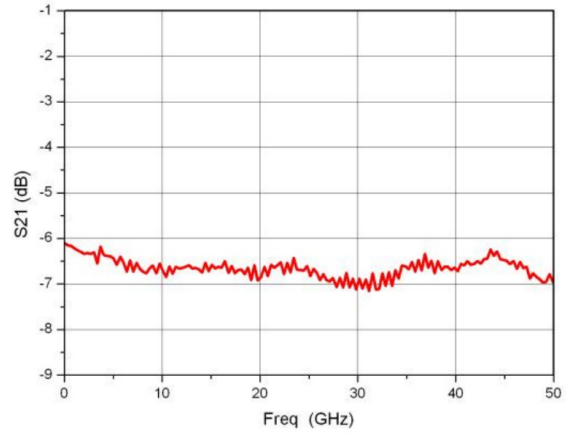
2.4mm 2 Way Resistive Power Divider, RPD50U2 DC-50GHz, 0.5W, JP-Grade

Typical Test Data

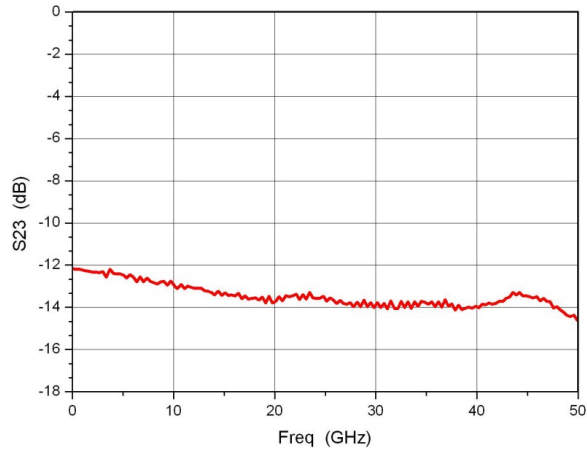
Frequency vs Return loss



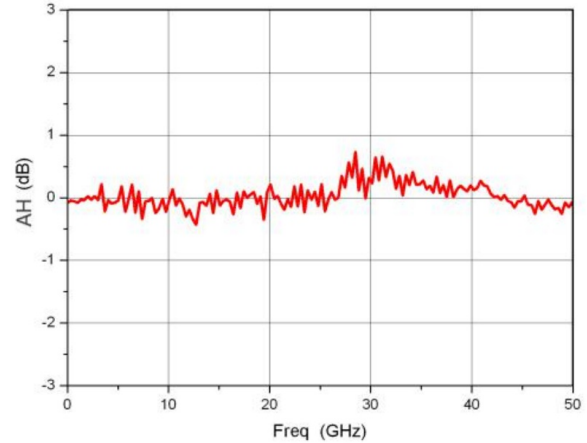
Frequency vs Insertion loss



Frequency vs Isolation



Frequency vs Amplitude balance



Frequency vs Phase balance

