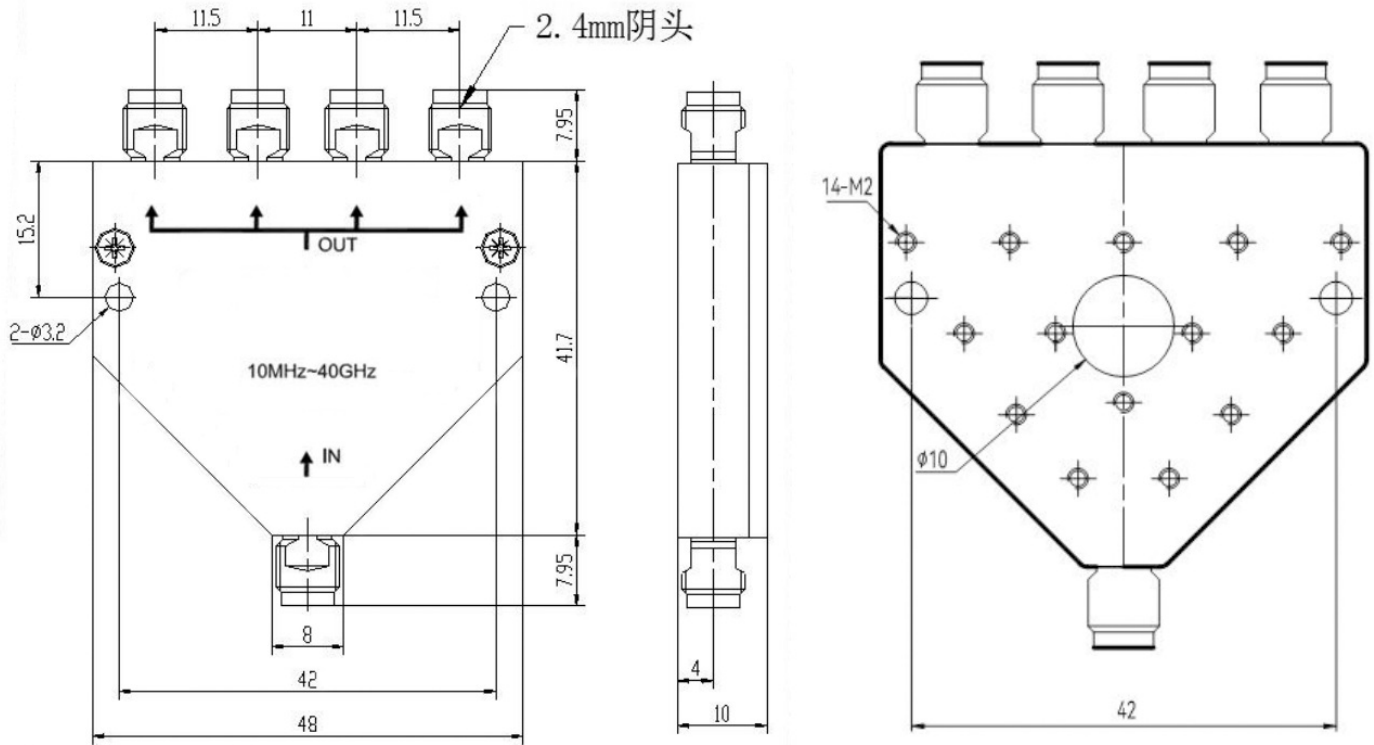




## 2.4mm 4 Way Resistive Power Divider, RPD40U4 DC-40GHz, 0.5W, JP-Grade

### Dimensions(mm) Tolerance $\pm 1\%$



### Electrical & Environmental

Frequency Range	DC-40GHz	Impedance	50 Ohm
Input Port VSWR	2 max	Output Port VSWR	2 max
Insertion Loss	16.3dB max		
Isolation	10dB min		
Amplitude Balance	$\pm 0.5$ dB	Phase Balance	$\pm 2^\circ$
Input Avg Power	0.5 Watts max @25°C		
Operating Temp	-20°C ~ +70°C		

### Mechanical & Product Information

Product Number	RPD40U4, JP-Grade	Way	4
Connector	2.4mm Female	Connector Body	Passivated stainless steel
Center Contact	1.27um Gold plated beryllium copper		
Housing	Passivated stainless steel		
Dimensions	48×41.7×10mm	Net Weight	-