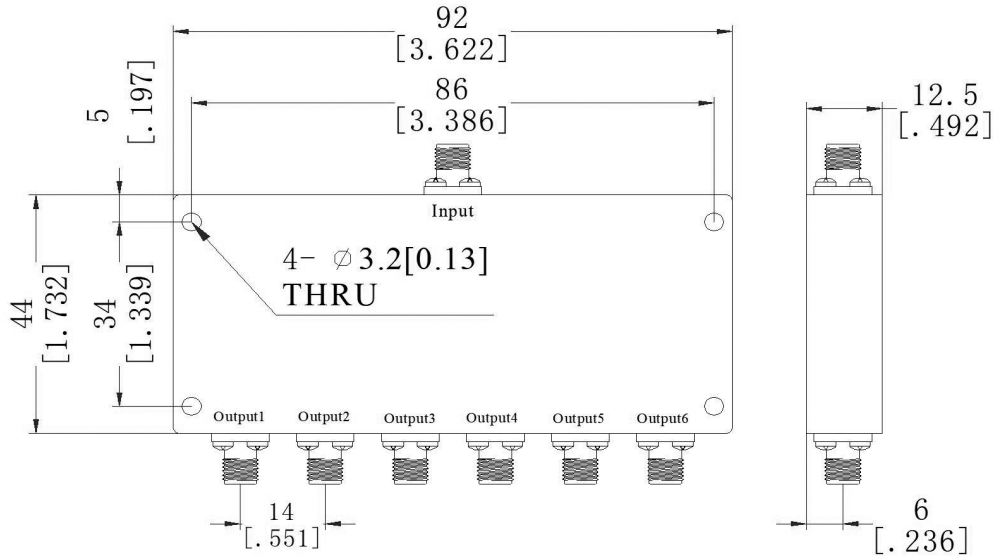


SMA 6 Way Resistive Power Divider, RPD3S6 DC-3GHz, 2W

Dimensions(mm) Tolerance±1%



Electrical & Environmental

Frequency Range	DC-3GHz	Impedance	50 Ohm
Input Port VSWR	1.2 max (Typ.1.12)		
Output Port VSWR	1.2 max (Typ.1.10)		
Insertion Loss	16dB max		
Isolation	6dB min		
Amplitude Balance	± 0.5dB		
Phase Balance	±6°		
Input Avg Power	2 Watts max @25°C (Derate linearly to 0.2 Watt at 100°C)		
Operating Temp	-35°C ~ +75°C		

Mechanical & Product Information

Product Number	RPD3S6	Way	6
Connector	SMA Female	Connector Body	Passivated stainless steel
Center Contact	Gold plated beryllium copper		
Housing	Black paint		
Dimensions	44×92×12.5mm	Net Weight	About 135.0g