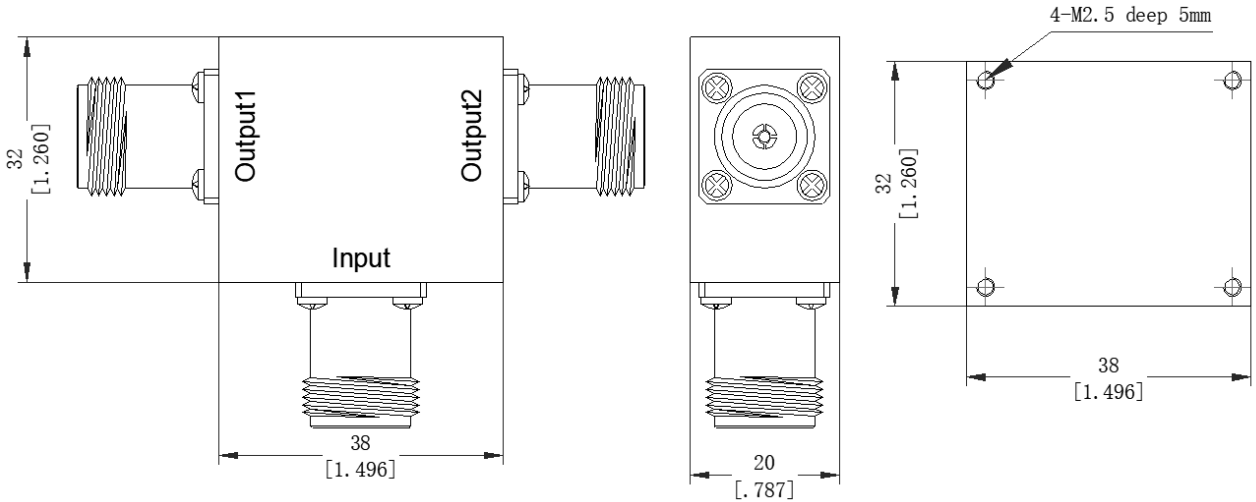




N 2 Way Resistive Power Divider, RPD3N2 DC-3GHz, 2W

Dimensions(mm) Tolerance $\pm 1\%$



Electrical & Environmental

Frequency Range	DC-3GHz	Impedance	50 Ohm
Input Port VSWR	1.2 max (Typ.1.11)		
Output Port VSWR	1.2 max (Typ.1.10)		
Insertion Loss	7dB max		
Isolation	5.6dB min		
Amplitude Balance	± 0.3 dB		
Phase Balance	$\pm 3^\circ$		
Input Avg Power	2 Watts max @25°C (Derate linearly to 0.2 Watt at 100°C)		
Operating Temp	-35°C ~ +75°C		

Mechanical & Product Information

Product Number	RPD3N2	Way	2
Connector	N Female	Connector Body	Ternary alloy plated brass
Center Contact	Gold plated beryllium copper		
Housing	Sandblasting natural color conductive oxide		
Dimensions	32×38×20mm	Net Weight	About 98.0g