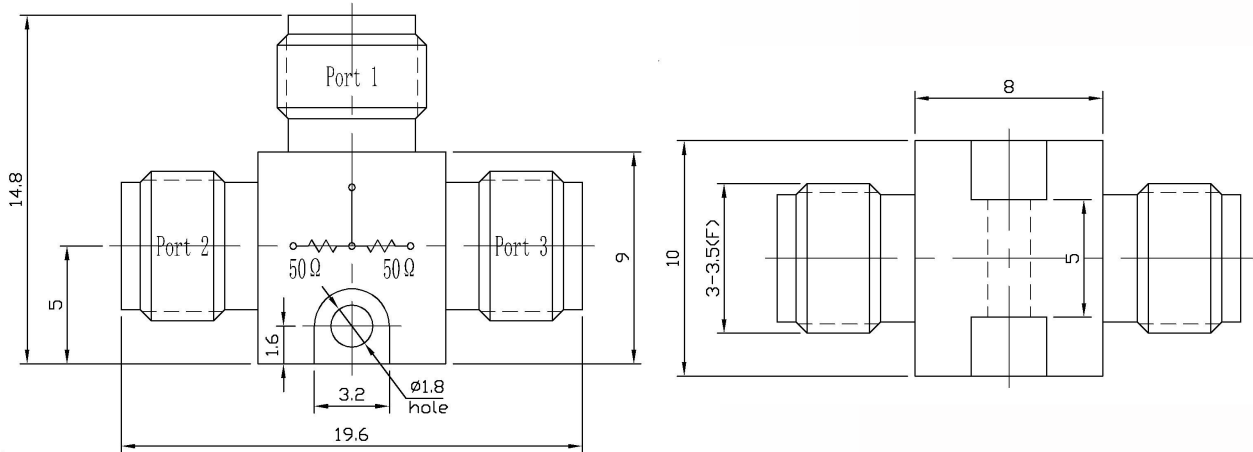


3.5mm 2 Way Resistive Power Divider, RPD34F2-C DC-34GHz, 5W , JP-Grade , High Isolation

Dimensions(mm) Tolerance $\pm 1\%$



Electrical & Environmental

Frequency Range	DC-34GHz	Impedance	50 Ohm
Input Port VSWR	1.3 max (18-34GHz); 1.20 max (DC-18GHz)		
Output Port VSWR	1.3 max (18-34GHz); 1.20 max (DC-18GHz)		
Insertion Loss	6.8dB max (18-27GHz); 6.5dB max (DC-18GHz)		
Isolation	12dB min (18-27GHz); 11.5dB min (DC-18GHz)		
Amplitude Balance	<0.6dB (18-34GHz); <0.4dB (DC-18GHz)		
Phase Balance	<6° (18-34GHz); $\leq 4^\circ$ (DC-18GHz)		
Input Avg Power	5 Watts max @25°C (Derate linearly to 0.5 Watt at 100°C) Air cooling/volume ≥ 3 CFM, Input Avg Power ≤ 10 W; Peak Power: 200 W (5 μ sec pulse width, 2% duty cycle)		
Operating Temp	-55°C~100°C		

Mechanical & Product Information

Product Number	RPD34F2-C, JP-Grade, High Isolation	Way	2
Connector	3.5mm Female	Connector Body	Passivated stainless steel
Center Contact	1.27 μ m Gold plated beryllium copper		
Housing	Passivated stainless steel		
Dimensions	19.6 \times 14.8 \times 10mm	Net Weight	About 7.5g