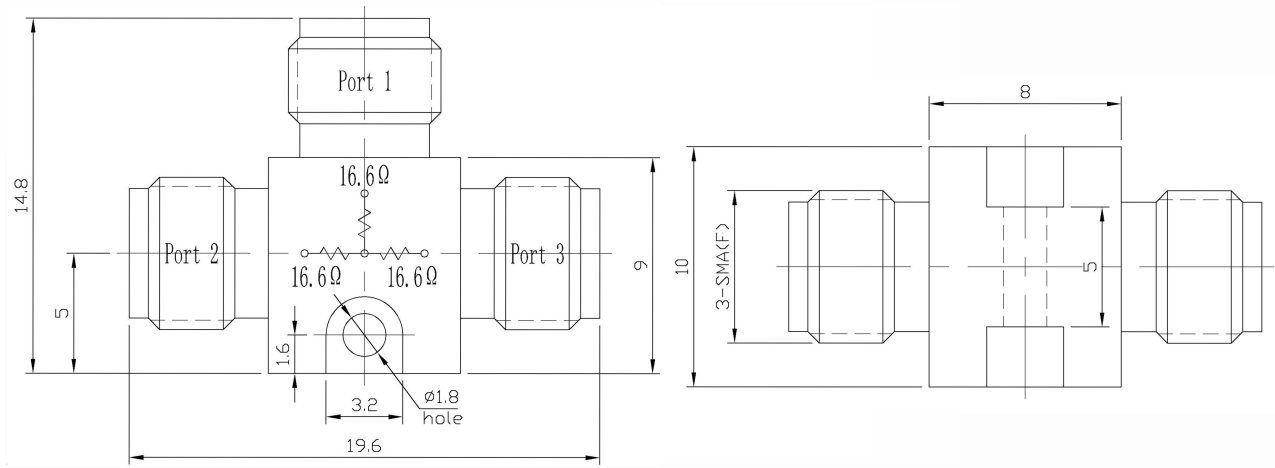




SMA 2 Way Resistive Power Divider, RPD27S2-A DC-26.5GHz, 5W, JP-Grade

Dimensions(mm) Tolerance $\pm 1\%$



Electrical & Environmental

Frequency Range	DC-26.5GHz	Impedance	50 Ohm
Input Port VSWR	1.3 max (18-27GHz); 1.20 max (DC-18GHz)		
Output Port VSWR	1.3 max (18-27GHz); 1.20 max (DC-18GHz)		
Insertion Loss	6.8dB max (18-27GHz); 6.5dB max (DC-18GHz)		
Amplitude Balance	<0.6dB (18-27GHz); <0.4dB (DC-18GHz)		
Phase Balance	<6° (18-27GHz); ≤4° (DC-18GHz)		
Input Avg Power	5 Watts max @25°C (Derate linearly to 0.5 Watt at 100°C) Air cooling/volume≥3CFM, Input Avg Power≤10W; Peak Power: 200 W (5μsec pulse width, 2% duty cycle)		
Operating Temp	-55°C~100°C		

Mechanical & Product Information

Product Number	RPD27S2-A, JP-Grade	Way	2
Connector	SMA Female	Connector Body	Passivated stainless steel
Center Contact	1.27um Gold plated beryllium copper		
Housing	Passivated stainless steel		
Dimensions	19.6×14.8×10mm	Net Weight	About 7.5g



SMA 2 Way Resistive Power Divider, RPD27S2-A DC-26.5GHz, 5W, JP-Grade

Typical Test Data

