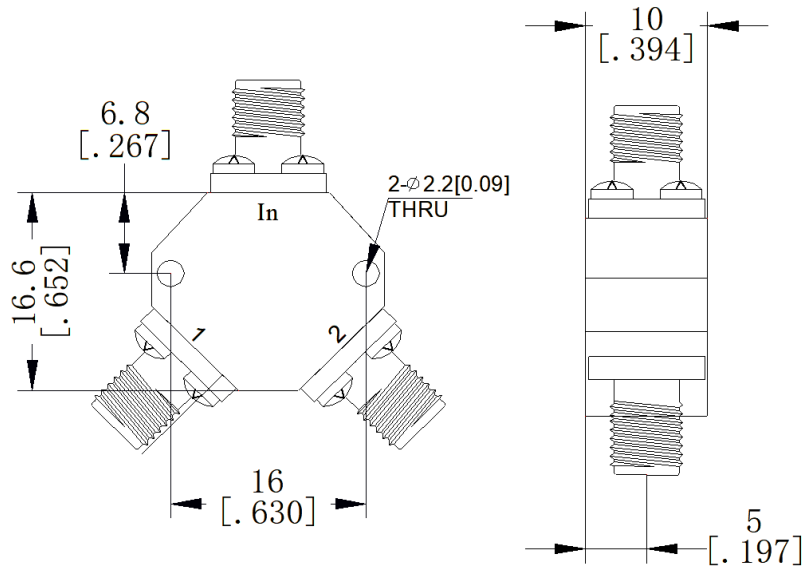


SMA 2 Way Resistive Power Divider, RPD2605S2 DC-26.5GHz, 2W

Dimensions(mm) Tolerance $\pm 1\%$



Electrical & Environmental

Frequency Range	DC-26.5GHz	Impedance	50 Ohm
Input Port VSWR	1.5 max (Typ.1.2)		
Output Port VSWR	2.5 max (Typ.1.35)		
Insertion Loss	8dB max		
Isolation	8dB min		
Amplitude Balance	± 0.3 dB		
Phase Balance	$\pm 4^\circ$		
Input Avg Power	2 Watts max @25°C (Derate linearly to 0.2 Watt at 100°C)		
Operating Temp	-35°C ~ +75°C		

Mechanical & Product Information

Product Number	RPD2605S2	Way	2
Connector	SMA Female	Connector Body	Passivated stainless steel
Center Contact	Gold plated beryllium copper		
Housing	Black paint		
Dimensions	16.6×10mm	Net Weight	-