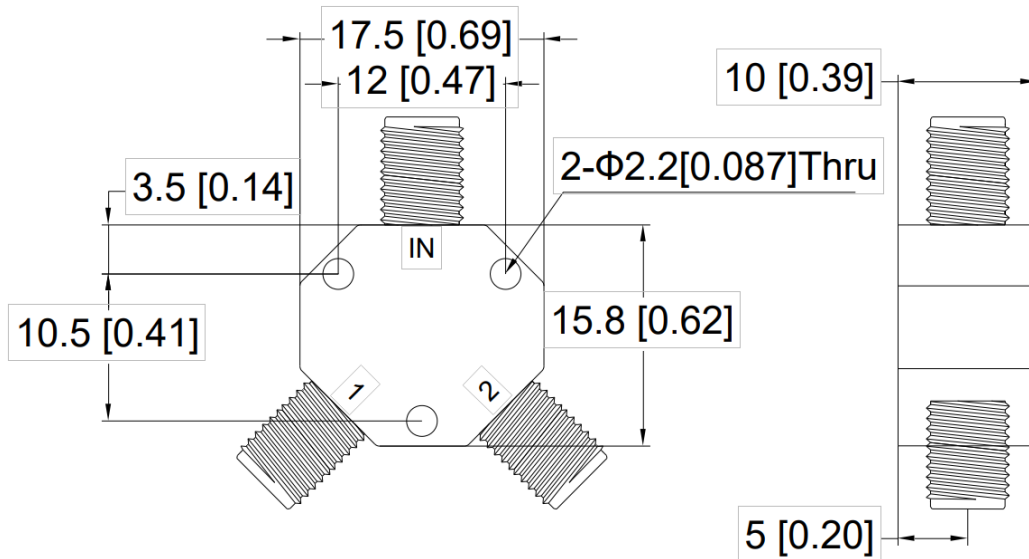


## SMA 2 Way Resistive Power Divider, RPD2605S2-C DC-26.5GHz, 1W , P-Grade

Dimensions(mm) Tolerance $\pm$ 1%



### Electrical & Environmental

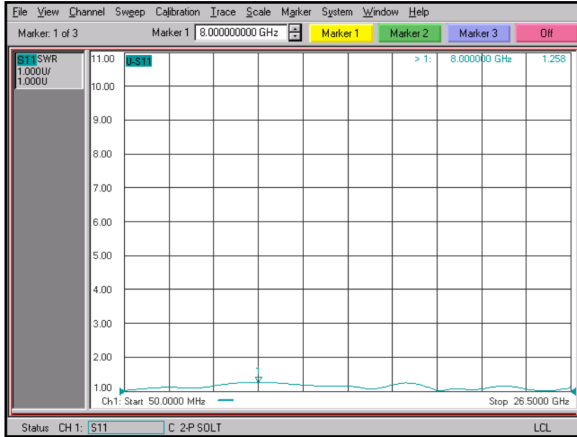
<b>Frequency Range</b>	DC-26.5GHz	<b>Impedance</b>	50 Ohm
<b>Input Port VSWR</b>	1.5 max		
<b>Output Port VSWR</b>	2.5 max		
<b>Insertion Loss</b>	1.5dB max ( does not include the theoretical insertion loss -6dB )		
<b>Isolation</b>	10dB min		
<b>Amplitude Balance</b>	$\pm$ 0.5dB		
<b>Phase Balance</b>	$\pm$ 5°		
<b>Input Avg Power</b>	1 Watts max @25°C Reverse: 0.1W max.		
<b>Operating Temp</b>	-45°C ~ +85°C		

### Mechanical & Product Information

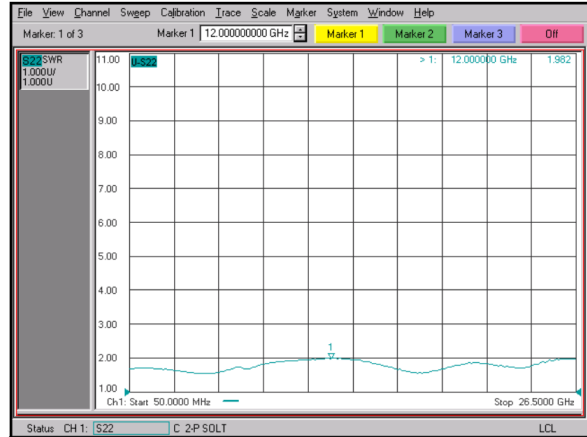
<b>Product Number</b>	RPD2605S2-C, P-Grade	<b>Way</b>	2
<b>Connector</b>	SMA Female	<b>Connector Body</b>	Passivated stainless steel
<b>Center Contact</b>	Gold plated beryllium copper		
<b>Housing</b>	Blue paint		
<b>Dimensions</b>	17.5×15.8×10mm	<b>Net Weight</b>	About 25.0g

# SMA 2 Way Resistive Power Divider, RPD2605S2-C DC-26.5GHz, 1W, P-Grade

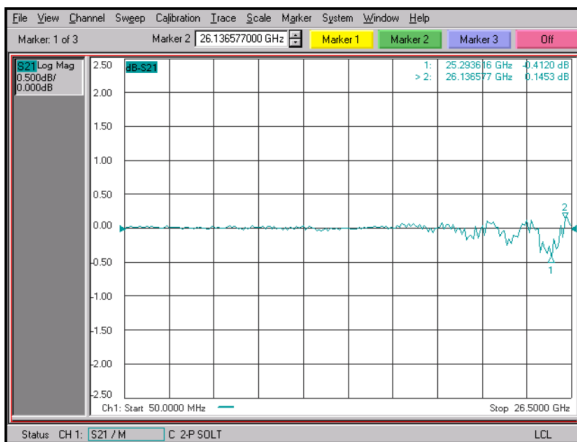
## Typical Test Data



Input Port VSWR



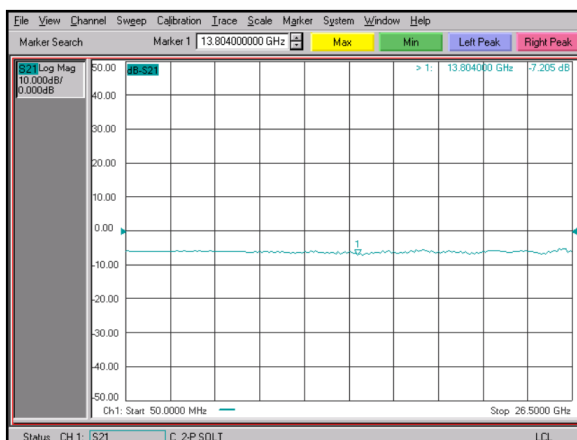
Output Port VSWR



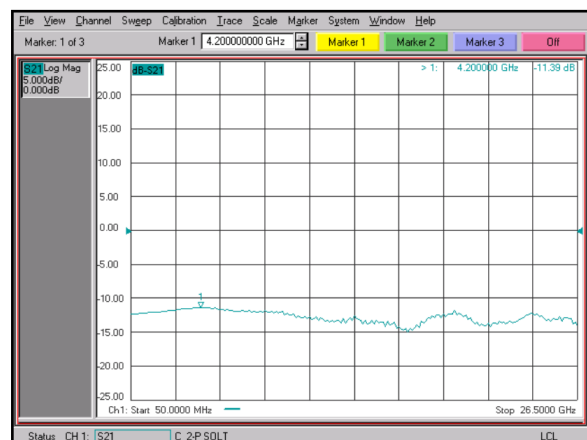
Amplitude Balance



Phase Balance



Insertion Loss



Isolation

