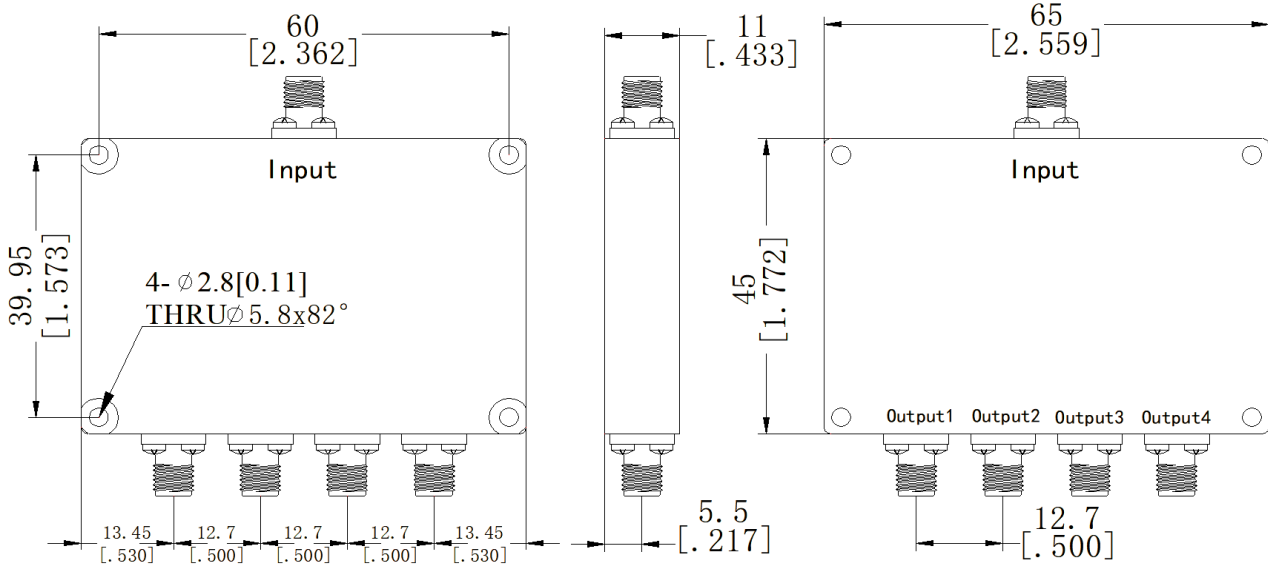


## SMA 4 Way Microstrip Power Divider, RPD209F305S4 2900-3500MHz, 40W

### Dimensions(mm) Tolerance±1%



### Electrical & Environmental

Frequency Range	2900-3500MHz	Impedance	50 Ohm
Input Port VSWR	1.3 max (Typ.1.18)		
Output Port VSWR	1.2 max (Typ.1.12)		
Insertion Loss	0.45dB max (Excluding theoretical loss 未含理论损耗6.0dB)		
Isolation	23dB min		
Amplitude Balance	$\pm 0.1$ dB		
Phase Balance	$\pm 2^\circ$		
Input Avg Power	40 Watts max @25°C (Derate linearly to 4 Watt at 100°C) (Combiner 合路器用时1W)		
Operating Temp	-55°C ~ +85°C		

### Mechanical & Product Information

Product Number	RPD209F305S4	Way	4
Connector	SMA Female	Connector Body	Passivated stainless steel
Center Contact	Gold plated beryllium copper		
Housing	拉丝本色导电氧化		
Dimensions	45×65×11mm	Net Weight	About 75.0g