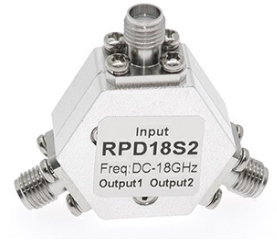
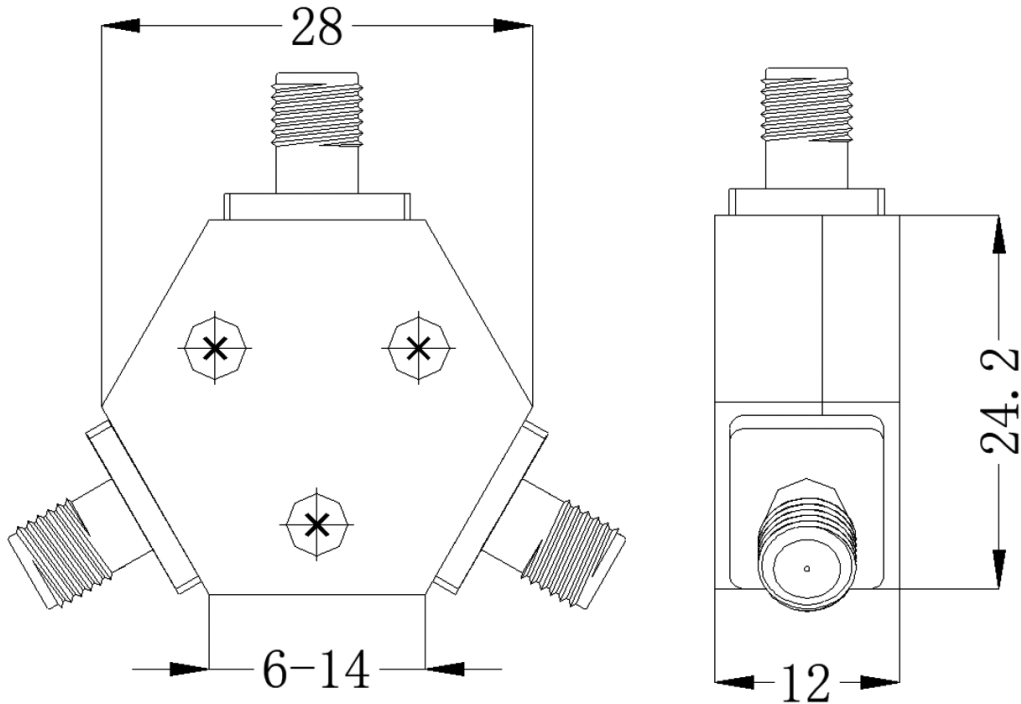


SMA 2 Way Resistive Power Divider, RPD18S2 DC-18GHz, 1W



Dimensions(mm) Tolerance $\pm 1\%$



Electrical & Environmental

Frequency Range	DC-18GHz	Impedance	50 Ohm
Input Port VSWR	1.5 max (Typ.1.20)	Output Port VSWR	1.5 max (Typ.1.20)
Insertion Loss	7.5dB max		
Isolation	5.8dB min (Typ.6.5dB)		
Amplitude Balance	± 0.8 dB	Phase Balance	
Input Avg Power	1 Watts max @25°C		
Operating Temp	-35°C ~ +75°C		

Mechanical & Product Information

Product Number	RPD18S2	Way	2
Connector	SMA Female	Connector Body	Passivated stainless steel
Center Contact	Gold plated beryllium copper		
Dimensions	28×24.4×12mm	Net Weight	-



SMA 2 Way Resistive Power Divider, RPD18S2 DC-18GHz, 1W

Typical Test Data

