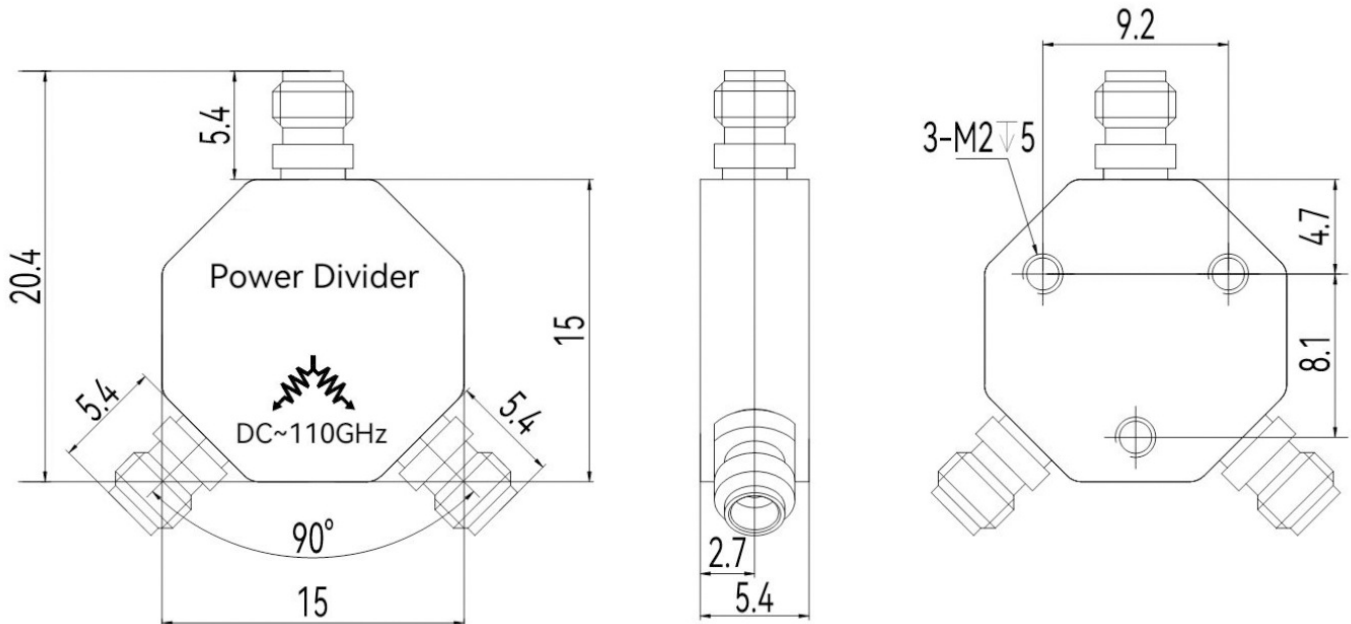




## 1.0mm 2 Way Resistive Power Divider, RPD110W2 DC-110GHz, 1W, JP-Grade

### Dimensions(mm) Tolerance $\pm 1\%$



### Electrical & Environmental

|                   |                   |                  |                |
|-------------------|-------------------|------------------|----------------|
| Frequency Range   | DC-110GHz         | Impedance        | 50 Ohm         |
| Input Port VSWR   | 2.1 max           | Output Port VSWR | 2.1 max        |
| Insertion Loss    | 9dB max           |                  |                |
| Isolation         | 8dB min           |                  |                |
| Amplitude Balance | $\pm 1.5$ dB      | Phase Balance    | $\pm 15^\circ$ |
| Input Avg Power   | 1 Watts max @25°C |                  |                |
| Operating Temp    | -20°C ~ +70°C     |                  |                |

### Mechanical & Product Information

|                |                                     |                |                   |
|----------------|-------------------------------------|----------------|-------------------|
| Product Number | RPD110W2, JP-Grade                  | Way            | 2                 |
| Connector      | 1.0mm Female                        | Connector Body | Gold plated brass |
| Center Contact | 1.27um Gold plated beryllium copper |                |                   |
| Housing        | Passivated stainless steel          |                |                   |
| Dimensions     | 15×15×5.4mm                         | Net Weight     | -                 |



# 1.0mm 2 Way Resistive Power Divider, RPD110W2 DC-110GHz, 1W, JP-Grade

## Typical Test Data

