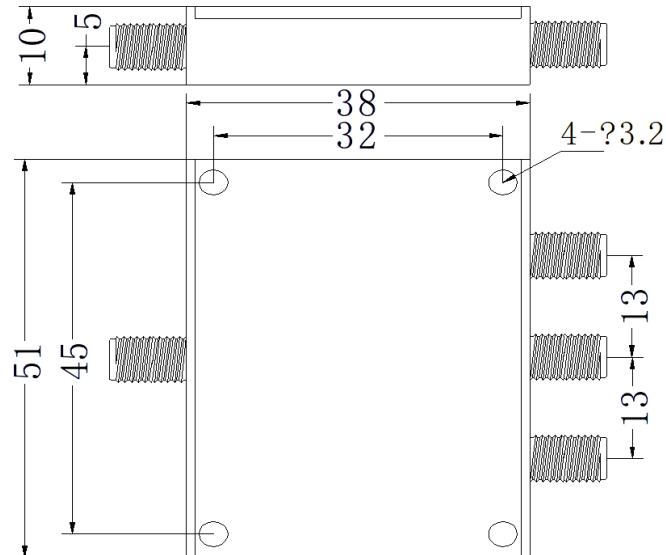




## SMA 3 Way Microstrip Power Divider, RPD1005F1009S3 10.5-10.9GHz, 20W , P-Grade

### Dimensions(mm) Tolerance $\pm 1\%$



### Electrical & Environmental

<b>Frequency Range</b>	10.5-10.9GHz	<b>Impedance</b>	50 Ohm
<b>Input Port VSWR</b>	1.3 max		
<b>Output Port VSWR</b>	1.3 max		
<b>Insertion Loss</b>	0.8dB max (Excluding theoretical loss未含理论损耗4.8dB)		
<b>Isolation</b>	18dB min		
<b>Amplitude Balance</b>	<0.4dB		
<b>Phase Balance</b>	$\pm 4^\circ$		
<b>Input Avg Power</b>	20 Watts max @25°C (Derate linearly to 2 Watt at 100°C) (Combiner合路器用时1W)		
<b>Operating Temp</b>	-45°C ~ +85°C		

### Mechanical & Product Information

<b>Product Number</b>	RPD1005F1009S3, P-Grade	<b>Way</b>	3
<b>Connector</b>	SMA Female	<b>Connector Body</b>	Passivated stainless steel
<b>Center Contact</b>	Gold plated beryllium copper		
<b>Housing</b>	Black paint		
<b>Dimensions</b>	51×38×10mm	<b>Net Weight</b>	About 55.0g



## SMA 3 Way Microstrip Power Divider, RPD1005F1009S3 10.5-10.9GHz, 20W , P-Grade

### Typical Test Data

