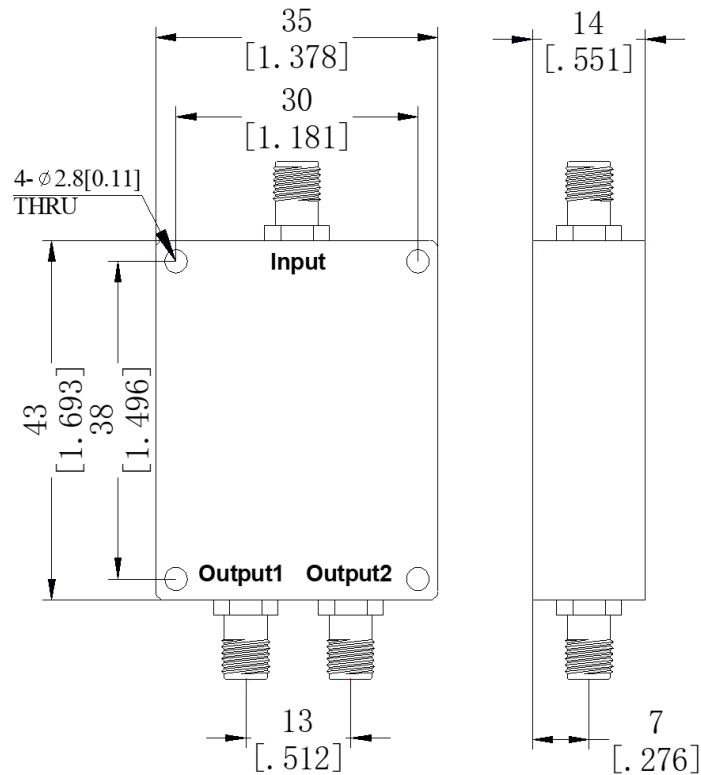


SMA 2 Way Microstrip Power Divider, RPD08F3S2 800-3000MHz, 30W, E-Grade

Dimensions(mm) Tolerance $\pm 1\%$



Electrical & Environmental

Frequency Range	800-3000MHz	Impedance	50 Ohm
Input Port VSWR	1.2 max (Typ.1.18)	Output Port VSWR	1.2 max (Typ.1.12)
Insertion Loss	0.5dB max (Excluding theoretical loss未含理论损耗3.0dB)		
Isolation	20dB min		
Amplitude Balance	± 0.2 dB	Phase Balance	$< 2^\circ$
Input Avg Power	30 Watts max @25°C (Derate linearly to 3 Watt at 100°C)		
Operating Temp	-35°C ~ +75°C		

Mechanical & Product Information

Product Number	RPD08F3S2, E-Grade	Way	2
Connector	SMA Female	Connector Body	Ternary alloy plated brass
Center Contact	Gold plated beryllium copper		
Housing	Sandblasting natural color conductive oxide		
Dimensions	43×35×14mm	Net Weight	About 48.0g