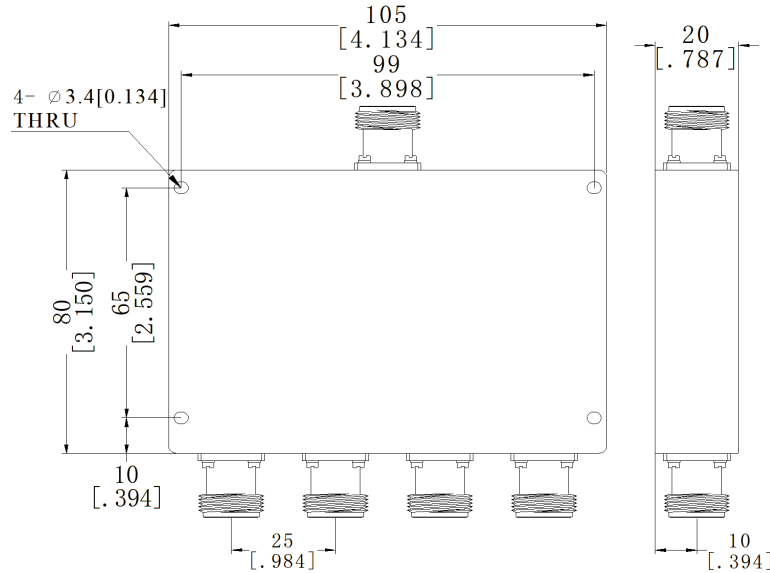


N 4 Way Microstrip Power Divider, RPD08F205N4 800-2500MHz, 30W , E-Grade

Dimensions(mm) Tolerance±1%



Electrical & Environmental

Frequency Range	800-2500MHz	Impedance	50 Ohm
Input Port VSWR	1.2 max (Typ.1.16)		
Output Port VSWR	1.2 max (Typ.1.12)		
Insertion Loss	0.8dB max (Excluding theoretical loss未含理论损耗6.0dB)		
Isolation	20dB min (Typ.26dB)		
Amplitude Balance	± 0.3 dB		
Phase Balance	$\pm 4^\circ$		
Input Avg Power	30 Watts max @25°C (Derate linearly to 3 Watt at 100°C) (Combiner合路器用时2W)		
Operating Temp	-35°C ~ +75°C		

Mechanical & Product Information

Product Number	RPD08F205N4, E-Grade	Way	4
Connector	N Female	Connector Body	Ternary alloy plated brass
Center Contact	Gold plated beryllium copper		
Housing	Sandblasting natural color conductive oxide		
Dimensions	105×82×20mm	Net Weight	About 440.0g