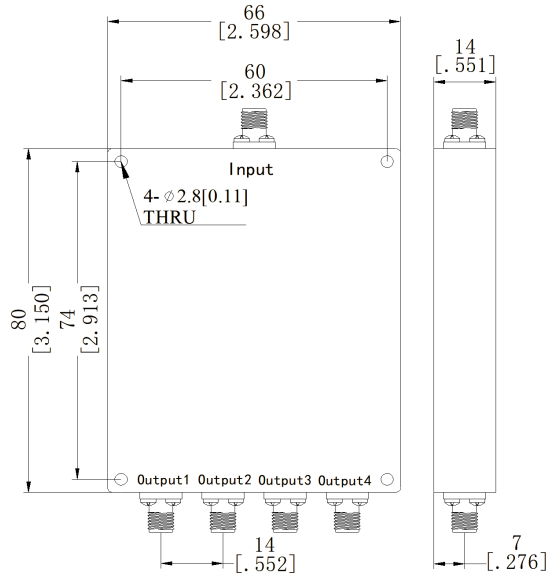


SMA 4 Way Microstrip Power Divider, RPD05F3S4 500-3000MHz, 30W , P-Grade

Dimensions(mm) Tolerance±1%



Electrical & Environmental

Frequency Range	500-3000MHz	Impedance	50 Ohm
Input Port VSWR	1.23 max (Typ.1.18)		
Output Port VSWR	1.2 max (Typ.1.12)		
Insertion Loss	0.7dB max (Excluding theoretical loss未含理论损耗6.0dB)		
Isolation	20dB min (Typ.26dB)		
Amplitude Balance	± 0.2dB		
Phase Balance	±3°		
Input Avg Power	30 Watts max @25°C (Derate linearly to 3 Watt at 100°C) (Combiner合路器用时2W)		
Operating Temp	-45°C ~ +85°C		

Mechanical & Product Information

Product Number	RPD05F3S4, P-Grade	Way	4
Connector	SMA Female	Connector Body	Passivated stainless steel
Center Contact	Gold plated beryllium copper		
Housing	Black paint		
Dimensions	80×66×14mm	Net Weight	-