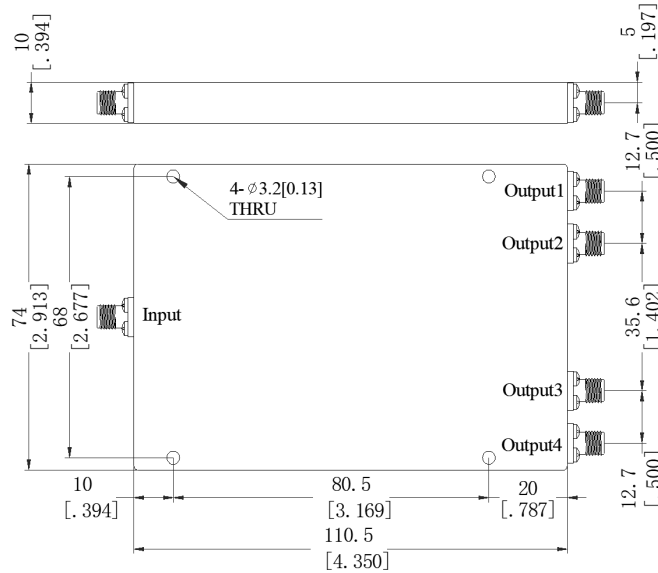


SMA 4 Way Microstrip Power Divider, RPD05F2605S4-3 0.5-26.5GHz, 20W , P-Grade

Dimensions(mm) Tolerance±1%



Electrical & Environmental

Frequency Range	0.5-26.5GHz	Impedance	50 Ohm
Input Port VSWR	1.5 max (Typ.1.4)		
Output Port VSWR	1.5 max (Typ.1.3)		
Insertion Loss	3dB max (Excluding theoretical loss未含理论损耗6.0dB)		
Isolation	16dB min (600-26500M); 14dB (500-600M)		
Amplitude Balance	± 0.5dB		
Phase Balance	±6°		
Input Avg Power	20 Watts max @25°C (Derate linearly to 2 Watt at 100°C) (Combiner合路器用时1W)		
Operating Temp	-45°C ~ +85°C		

Mechanical & Product Information

Product Number	RPD05F2605S4-3, P-Grade	Way	4
Connector	SMA Female	Connector Body	Passivated stainless steel
Center Contact	Gold plated beryllium copper		
Housing	Gray paint		
Dimensions	110.5×74×10mm	Net Weight	About 300.0g