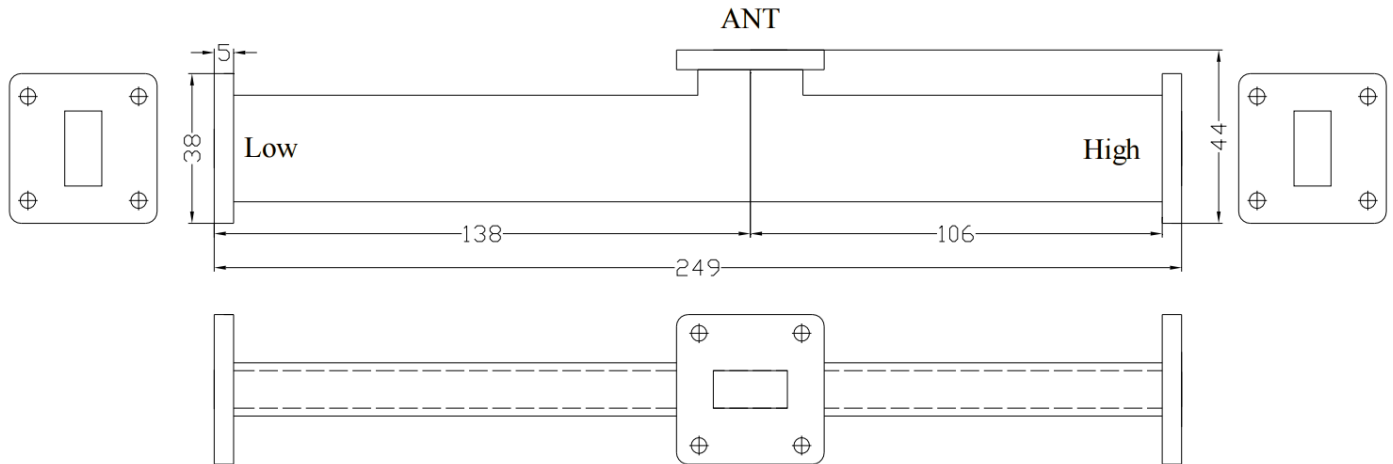




## WR75(BJ120) Waveguide Diplexer, RWFPD75-14250M

Pass Band 12250-12750MHz, 14000-14500MHz

### Dimensions(mm) Tolerance $\pm 1\%$



### Mechanical & Product Information

<b>Product Number</b>	RWFPD75-14250M	<b>Product Type</b>	Waveguide Diplexer
<b>Isolation</b>	85dB min		
<b>Waveguide</b>	WR75(BJ120), FBP120方形平法兰	<b>Waveguide Body</b>	Aluminum, grey painted
<b>Housing</b>	Grey paint	<b>Operating Temp.</b>	°C
<b>Identification</b>	Port 1: ANT , Port 2: Low , Port 3: High		
<b>Dimensions</b>	249×44×38mm	<b>Net Weight</b>	-

### Port Parameter Performance Table

Port/Channel	Pass Band				Stop Band	
	Center Freq.	Pass Band	IL.	Ripple	Reject Freq.	Rejection
<b>Low</b>	12500MHz	12250-12750MHz	$\leq$ dB	-		$\geq$ dB
<b>High</b>	14250MHz	14000-14500MHz	$\leq$ dB	-		$\geq$ dB