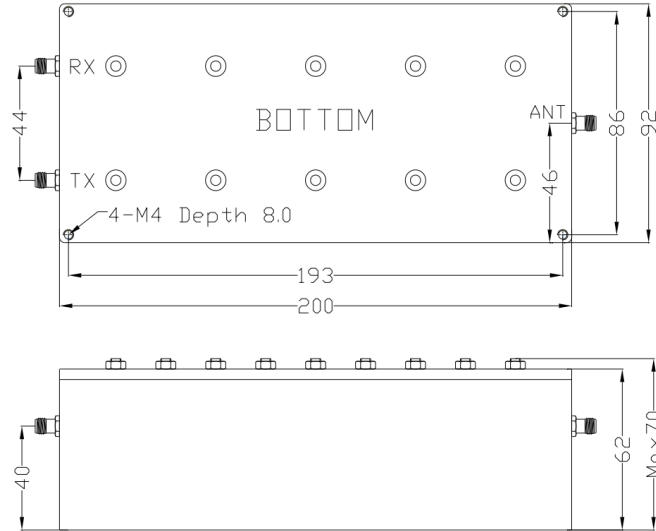


**SMA Diplexer, RFPD20092S-668M**  
Pass Band 542-562MHz, 658-678MHz

**Dimensions(mm) Tolerance±1%**



**Mechanical & Product Information**

<b>Product Number</b>	RFPD20092S-668M	<b>Product Type</b>	Diplexer
<b>Impedance</b>	50 Ohms	<b>Power Handling</b>	80W @25°C
<b>Isolation</b>	70dB min		
<b>Connector</b>	SMA Female - SMA Female	<b>Connector Body</b>	Ternary alloy plated brass
<b>Housing</b>	6061 Aluminum alloy, Black Paint	<b>Operating Temp.</b>	-30 ~ +70°C
<b>Identification</b>	Port 1: ANT , Port 2: RX , Port 3: TX		
<b>Dimensions</b>	200×92×62mm	<b>Net Weight</b>	About 1.2kg

**Port Parameter Performance Table**

Port/Channel	Pass Band				Stop Band	
	Center Freq.	Pass Band	IL.	Ripple	Reject Freq.	Rejection
RX	552MHz	542-562MHz	≤dB	-		≥dB
TX	668MHz	658-678MHz	≤dB	-		≥dB



### SMA双工器, RFPD20092S-668M

542-562MHz, 658-678MHz, 耦合度dB, 80W, 黄铜镀三元合金

#### 典型实测曲线

