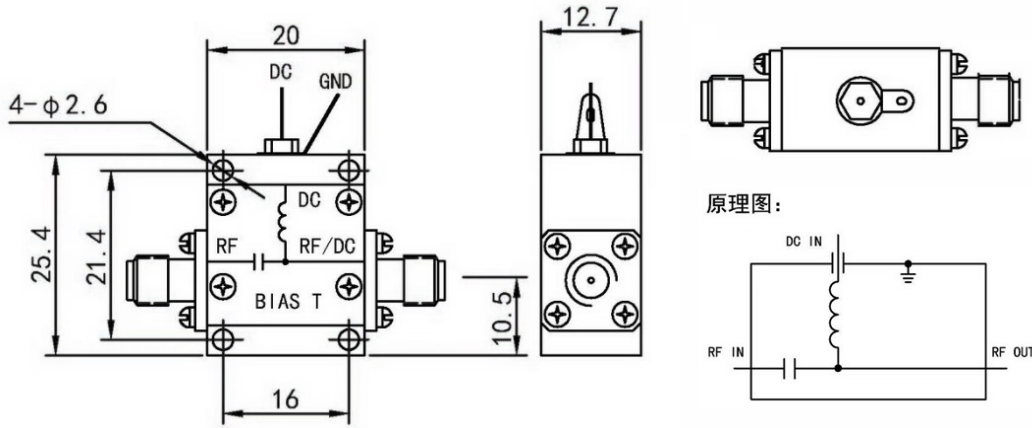




SMA Female to SMA Female RF Bias Tees, RBT6S50-2A 10MHz-6GHz, DC 50V, 2A

Dimensions(mm) Tolerance $\pm 1\%$



Electrical & Environmental

Frequency Range	10MHz-6GHz	Impedance	50 Ohm
VSWR	1.2 Max	Insertion Loss	1.0 dB Max
Voltage	-	Input Avg Power	2 Watts Max @25°C
DC Voltage	50 Volts Max	DC Current	2.0 A Max
Isolation	30 dB Min	Group Delay	-

Mechanical & Product Information

Product Number	RBT6S50-2A	Connector	SMA Female to SMA Female, DC Port PIN
Connector Body	Passivated stainless steel	Center Contact	-
Net Weight	About 20.0g	RoHS	Compliant

Typical Test Data

