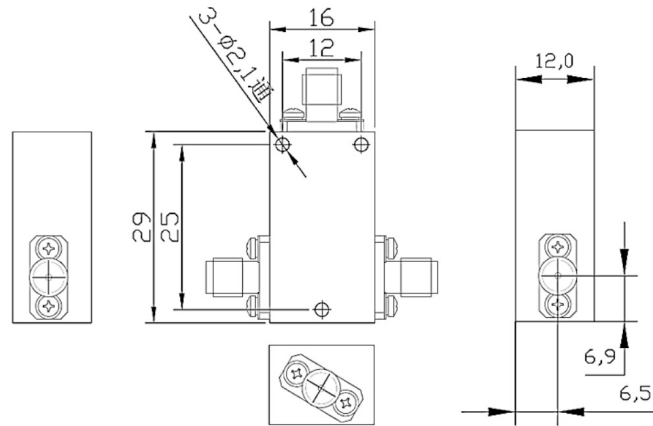


SMA Male to SMA Female RF Bias Tees, RBT5K3S50 5KHz-3GHz, DC 50V, 0.5A

Dimensions(mm) Tolerance $\pm 1\%$



Electrical & Environmental

Frequency Range	5KHz-3GHz	Impedance	50 Ohm
VSWR	2 Max	Insertion Loss	1.5 dB Max
Voltage	50 Volts Max	Avg Power	2 Watts Max @25°C
DC Voltage	50 Volts Max	DC Current	0.5 A Max
Isolation	20 dB Min	Group Delay	-

Mechanical & Product Information

Product Number	RBT5K3S50, P-Grade	Connector	SMA Male to SMA Female, DC Port SMA Female
Connector Body	Passivated stainless steel	Center Contact	Gold plated beryllium copper
Net Weight	About 40.0g	RoHS	Compliant

Typical Test Data