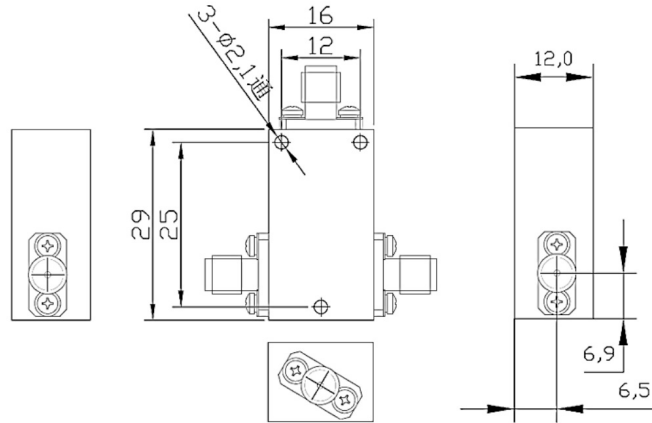


**2.92mm(K,SK) Female to 2.92mm(K,SK) Female RF Bias Tees,  
RBT03F2605K50**  
0.3-26.5GHz, DC 50V, 0.5A

**Dimensions(mm) Tolerance±1%**



**Electrical & Environmental**

<b>Frequency Range</b>	0.3-26.5GHz	<b>Impedance</b>	50 Ohm
<b>VSWR</b>	1.8 Max	<b>Insertion Loss</b>	1.8 dB Max , Typ 1.5dB
<b>Voltage</b>	50 Volts Max	<b>Avg Power</b>	1 Watts Max @25°C
<b>DC Voltage</b>	50 Volts Max	<b>DC Current</b>	0.5 A Max

**Mechanical & Product Information**

<b>Product Number</b>	RBT03F2605K50, P-Grade	<b>Connector</b>	2.92mm(K,SK) Female to 2.92mm(K,SK) Female, DC Port SMA Female
<b>Connector Body</b>	Passivated stainless steel	<b>Center Contact</b>	Gold plated beryllium copper
<b>Net Weight</b>	About 40.0g	<b>RoHS</b>	Compliant

**Typical Test Data**