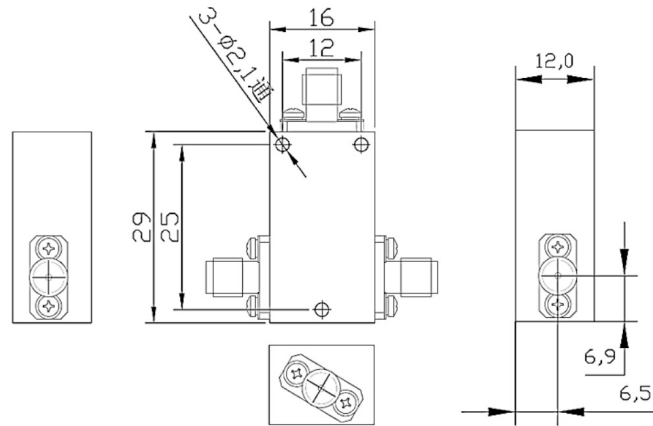


SMA Male to SMA Female RF Bias Tees, RBT03F18S50

0.3-18GHz, DC 50V, 0.5A

Dimensions(mm) Tolerance $\pm 1\%$



Electrical & Environmental

Frequency Range	0.3-18GHz	Impedance	50 Ohm
VSWR	1.6 Max	Insertion Loss	1.5 dB Max , Typ 1.3dB
Voltage	50 Volts Max	Avg Power	1 Watts Max @25°C
DC Voltage	50 Volts Max	DC Current	0.5 A Max

Mechanical & Product Information

Product Number	RBT03F18S50, P-Grade	Connector	SMA Male to SMA Female, DC Port SMA Female
Connector Body	Passivated stainless steel	Center Contact	Gold plated beryllium copper
Net Weight	About 40.0g	RoHS	Compliant

Typical Test Data