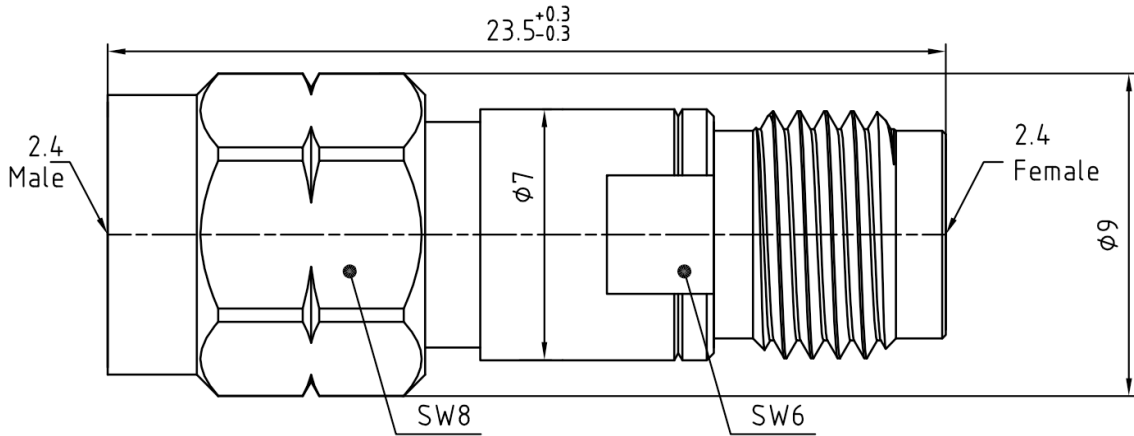




2.4mm Male to 2.4mm Female Inner DC Block, RBK50U50 300KHz-50GHz, 50V

Dimensions(mm) Tolerance±1%



Electrical & Environmental

Frequency Range	300KHz-50GHz	Impedance	50 Ohm
VSWR	1.45 Max	Insertion Loss	1.0 dB Max
Voltage	50 Volts Max	Input Avg Power	-

Mechanical & Product Information

Product Number	RBK50U50	Connector	2.4mm Male to 2.4mm Female
Connector Body	Passivated stainless steel	Center Contact	Gold plated brass, Gold plated beryllium copper
Net Weight	About 4.9g	RoHS	Compliant

Typical Test Data

