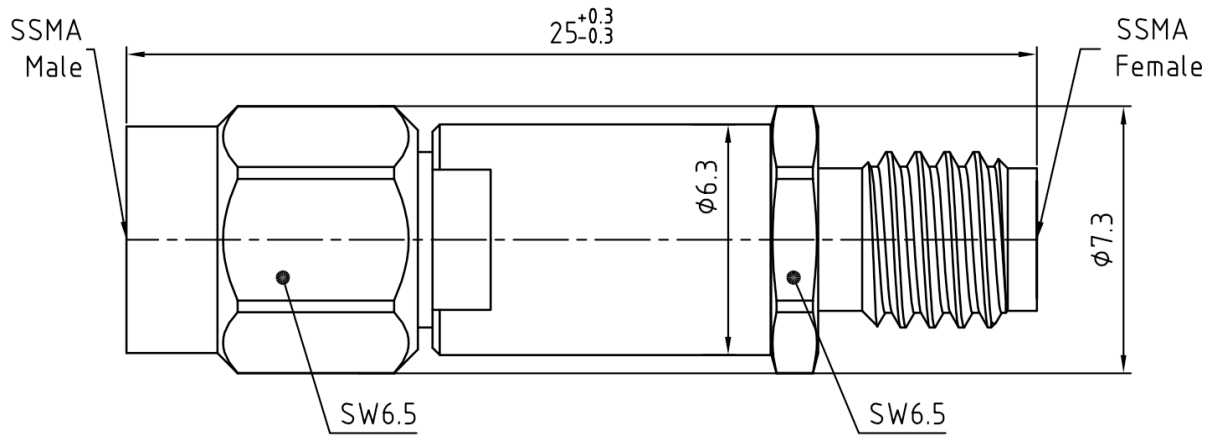




SSMA Male to SSMA Female Inner DC Block, RBK27SA100 9KHz-26.5GHz, 100V

Dimensions(mm) Tolerance±1%



Electrical & Environmental

Frequency Range	9KHz-26.5GHz	Impedance	50 Ohm
VSWR	1.4 Max	Insertion Loss	0.8 dB Max
Voltage	100 Volts Max	Input Avg Power	-

Mechanical & Product Information

Product Number	RBK27SA100	Connector	SSMA Male to SSMA Female
Connector Body	Passivated stainless steel, Gold plated brass, Gold plated beryllium copper	Center Contact	Gold plated brass, Gold plated beryllium copper
Net Weight	-	RoHS	Compliant

Typical Test Data

