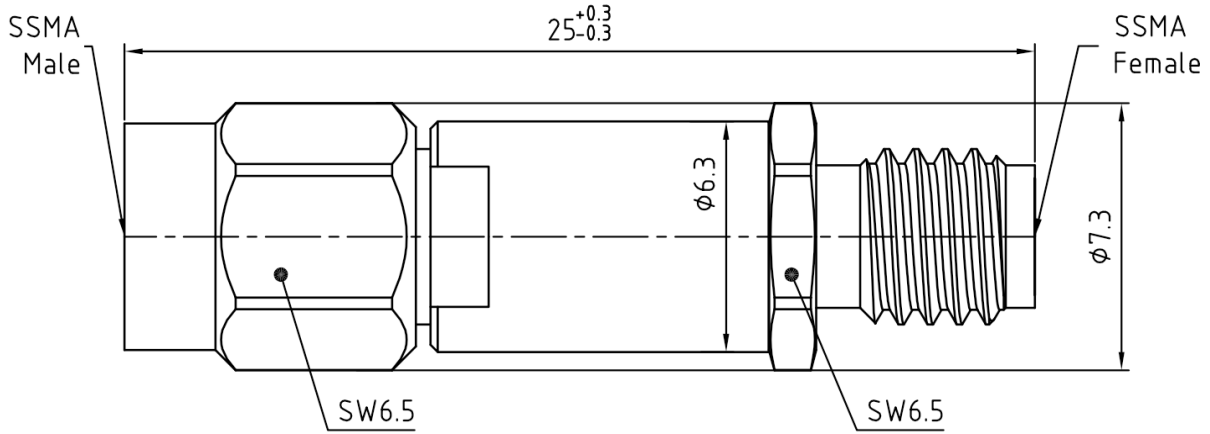




SSMA Male to SSMA Female Inner DC Block, RBK18SA100 9KHz-18GHz, 100V

Dimensions(mm) Tolerance±1%



Electrical & Environmental

| | | | |
|------------------------|---------------|------------------------|------------|
| Frequency Range | 9KHz-18GHz | Impedance | 50 Ohm |
| VSWR | 1.35 Max | Insertion Loss | 0.6 dB Max |
| Voltage | 100 Volts Max | Input Avg Power | - |

Mechanical & Product Information

| | | | |
|-----------------------|---|-----------------------|---|
| Product Number | RBK18SA100, H-Grade | Connector | SSMA Male to SSMA Female |
| Connector Body | Passivated stainless steel, Gold plated brass, Gold plated beryllium copper | Center Contact | Gold plated brass, Gold plated beryllium copper |
| Net Weight | - | RoHS | Compliant |

Typical Test Data

