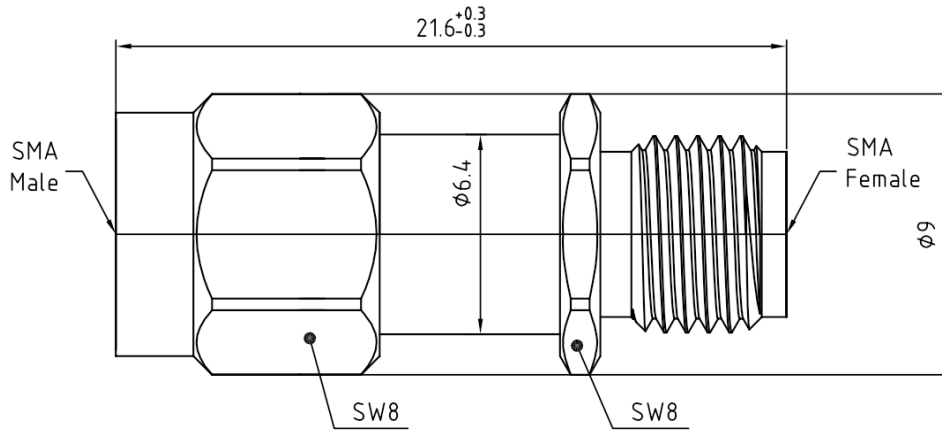




SMA Male to SMA Female Inner DC Block, RBK18S100 9KHz-18GHz, 100V

Dimensions(mm) Tolerance±1%



Electrical & Environmental

Frequency Range	9KHz-18GHz	Impedance	50 Ohm
VSWR	1.3 Max	Insertion Loss	0.6 dB Max
Voltage	100 Volts Max	Input Avg Power	-

Mechanical & Product Information

Product Number	RBK18S100	Connector	SMA Male to SMA Female
Connector Body	Passivated stainless steel	Center Contact	Gold plated brass, Gold plated beryllium copper
Net Weight	About 4.2g	RoHS	Compliant

Typical Test Data

