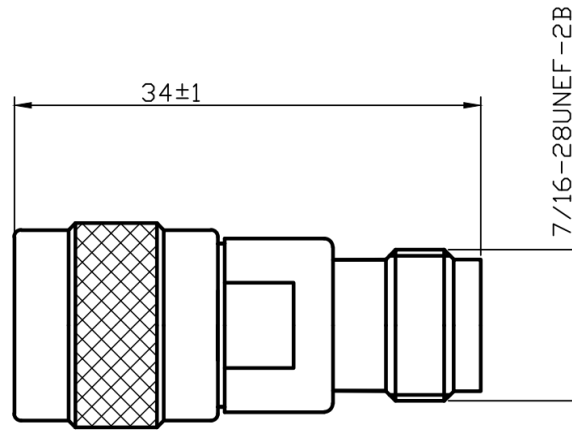




TNC Male to TNC Female Inner DC Block, RBD6T50
300KHz-6GHz, 50V

Dimensions(mm) Tolerance $\pm 1\%$



Electrical & Environmental

Frequency Range	300KHz-6GHz	Impedance	50 Ohm
VSWR	1.3 Max	Insertion Loss	-
Voltage	50 Volts Max	Input Avg Power	-

Mechanical & Product Information

Product Number	RBD6T50, E-Grade	Connector	TNC Male to TNC Female
Connector Body	Nickel plated brass	Center Contact	Gold plated brass, Gold plated Tin bronze
Net Weight	About 22.0g	RoHS	Compliant

Typical Test Data

