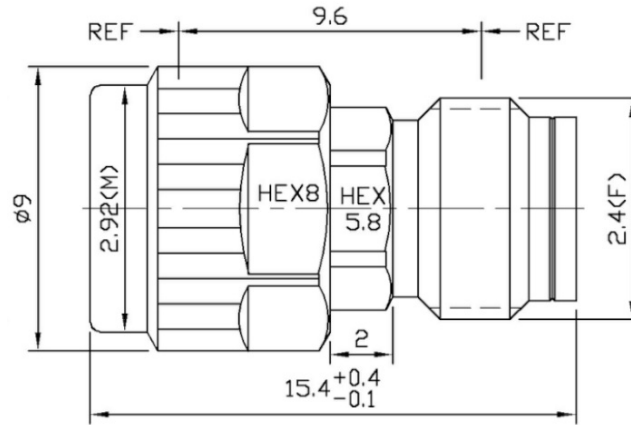




2.92mm Male to 2.4mm Female Inner DC Block, RB40KMUF60 10MHz-40GHz, 60V

Dimensions(mm) Tolerance±1%



Electrical & Environmental

Frequency Range	10MHz-40GHz	Impedance	50 Ohm
VSWR	1.35 Max	Insertion Loss	0.5 dB Max $\leq 0.08 \times \sqrt{F(\text{GHz})}$
Voltage	60 Volts Max	Input Avg Power	3 Watts Max @25°C

Mechanical & Product Information

Product Number	RB40KMUF60	Connector	2.92mm Male to 2.4mm Female
Connector Body	Passivated stainless steel	Center Contact	1.27um Gold plated beryllium copper
Net Weight	About 3.2g	RoHS	Compliant

Typical Test Data

