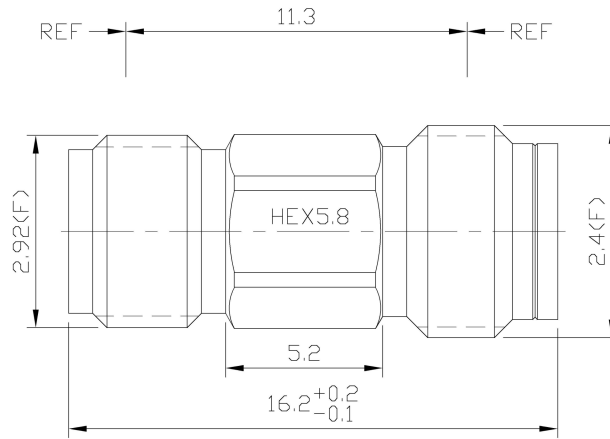




2.92mm Female to 2.4mm Female Inner DC Block, RB40KFUF60 10MHz-40GHz, 60V

Dimensions(mm) Tolerance±1%



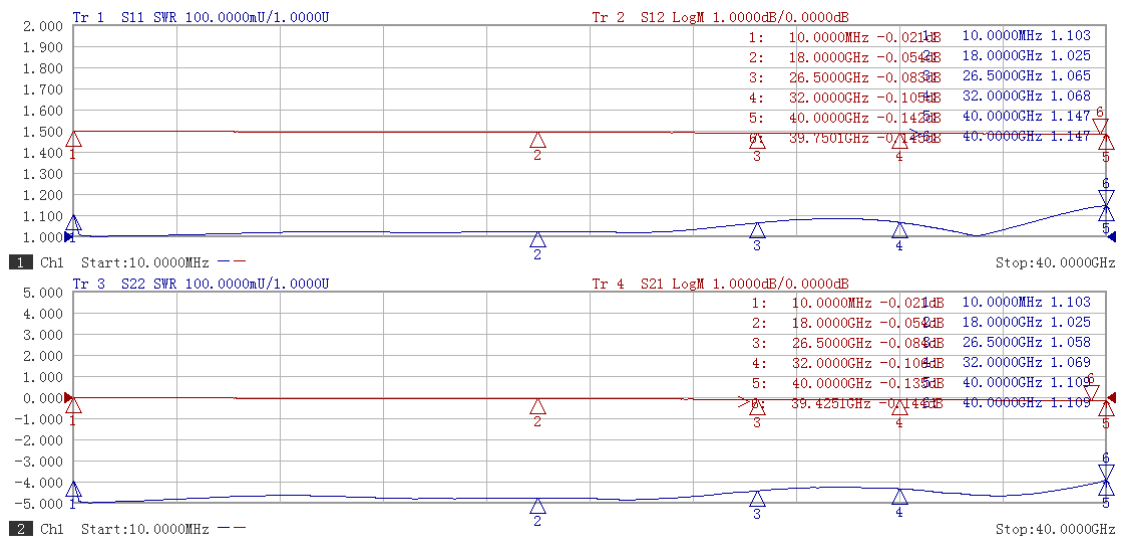
Electrical & Environmental

Frequency Range	10MHz-40GHz	Impedance	50 Ohm
VSWR	1.35 Max	Insertion Loss	0.5 dB Max
Voltage	60 Volts Max	Input Avg Power	2 Watts Max @25°C

Mechanical & Product Information

Product Number	RB40KFUF60, JP-Grade	Connector	2.92mm Female to 2.4mm Female
Connector Body	Passivated stainless steel	Center Contact	1.27um Gold plated beryllium copper
Net Weight	About 3.5g	RoHS	Compliant

Typical Test Data





Microwave and Millimeter wave products
supplier

RFTOP® Technology Co., Ltd.
www.rftop.com service@rftop.com 86-755-88840350