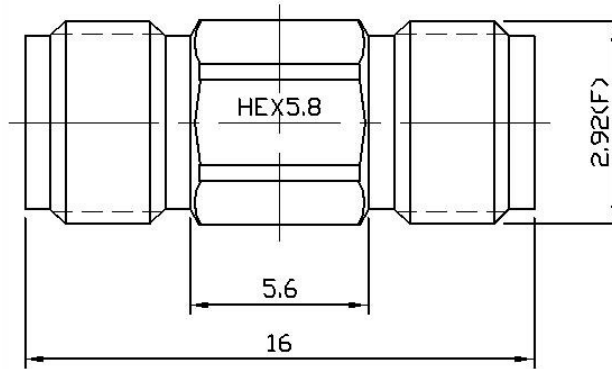


Inner DC Block 2.92mm Female to Female RB40K250FF 1MHz-40GHz, 250V

Dimensions(mm) Tolerance±1%



Electrical & Environmental

Frequency Range	1MHz-40GHz	Impedance	50 Ohm
VSWR	1.35 Max	Insertion Loss	0.30 dB max $\leq 0.08\sqrt{f}(\text{GHz})\text{dB}$
Input Avg Power	3 Watts Max @25°C (Derate linearly to 0.3 Watt at 100°C), -55°C~100°C		
Voltage	250 Volts Max		

Mechanical

RF Connector	2.92mm Female to Female		
Connector Body	Passivated stainless steel	Center Contact	1.27um Gold plated beryllium copper
Net Weight	About 3.5g	RoHS	Compliant

Typical Test Data

