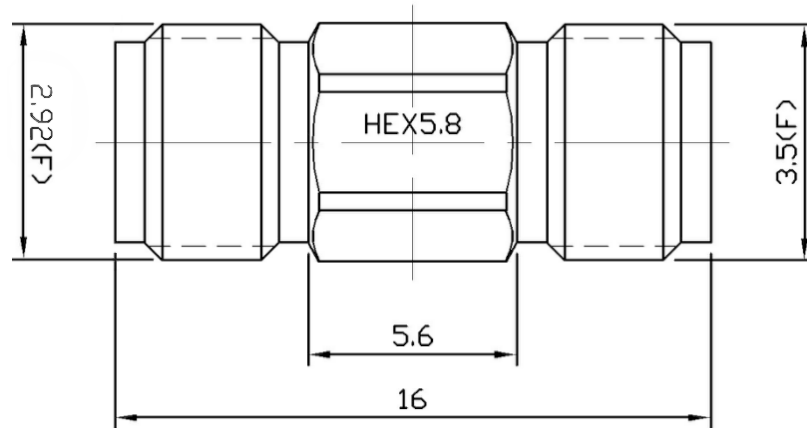




**2.92mm(K,SK) Female to 3.5mm Female Inner DC Block,
RB27KFQF60
10MHz-26.5GHz, 60V**

Dimensions(mm) Tolerance±1%



Electrical & Environmental

Frequency Range	10MHz-26.5GHz	Impedance	50 Ohm
VSWR	1.2 Max	Insertion Loss	-
Voltage	60 Volts Max	Input Avg Power	3 Watts Max @25°C

Mechanical & Product Information

Product Number	RB27KFQF60, JP-Grade	Connector	2.92mm(K,SK) Female to 3.5mm Female
Connector Body	Passivated stainless steel	Center Contact	1.27um Gold plated beryllium copper
Net Weight	About 2.1g	RoHS	Compliant

Typical Test Data

