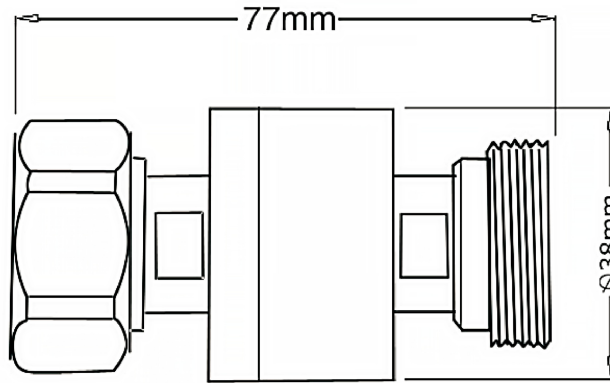




L29 Male to L29 Female Inner/Outer DC Block, RB03D4000 800MHz-3GHz, 500V

Dimensions(mm) Tolerance $\pm 1\%$



Electrical & Environmental

Frequency Range	800MHz-3GHz	Impedance	50 Ohm
VSWR	1.2 Max	Insertion Loss	-
Voltage	500 Volts Max	Input Avg Power	30 Watts Max @25°C

Mechanical & Product Information

Product Number	RB03D4000, E-Grade	Connector	L29(DIN 7/16) Male to L29(DIN 7/16) Female
Connector Body	Ternary alloy plated brass	Center Contact	Gold plated brass, Gold plated beryllium copper
Net Weight	About 185.0g	RoHS	Compliant

Typical Test Data