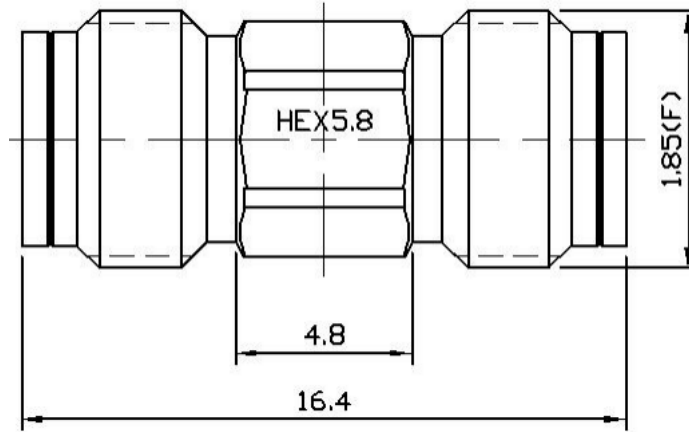




1.85mm Female to 1.85mm Female Inner DC Block, **RB0167FF** 10MHz-67GHz, 60V

Dimensions(mm) Tolerance $\pm 1\%$



Electrical & Environmental

Frequency Range	10MHz-67GHz	Impedance	50 Ohm
VSWR	1.5 Max	Insertion Loss	0.9 dB Max
Voltage	60 Volts Max	Input Avg Power	1.5 Watts Max @25°C

Mechanical & Product Information

Product Number	RB0167FF, JP-Grade	Connector	1.85mm Female to 1.85mm Female
Connector Body	Passivated stainless steel	Center Contact	1.27um Gold plated beryllium copper
Net Weight	About 2.6g	RoHS	Compliant

Typical Test Data

