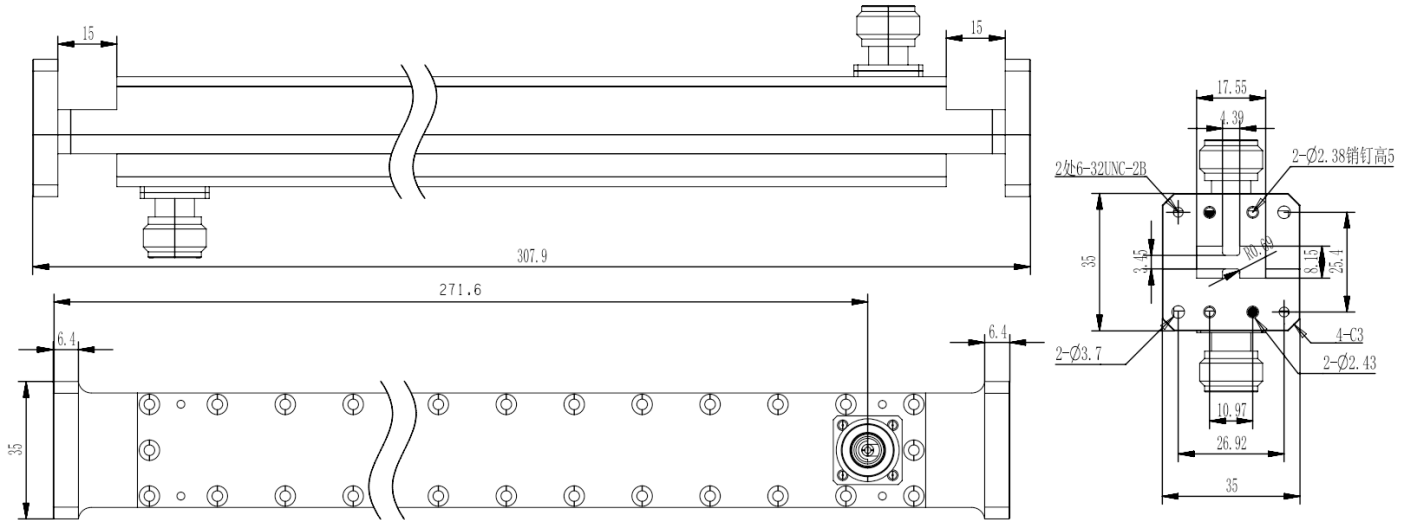


WRD750 Double Ridge Waveguide Dual Directional Coupler, N Female Coupled Port, RWDDCD750N-50

7.5-18GHz, Coupling 50dB, FPWRD750 Rectangular Flange

Dimensions(mm) Tolerance±1%



Electrical & Environmental

Frequency Range	7.5-18GHz	Impedance	50 Ohm
VSWR Primary	1.1 Max		
VSWR Secondary	1.5 Max		
Insertion Loss	0.3dB Max		
Directivity	20dB Min		
Nominal Coupling	50±1.5dB		

Mechanical & Product Information

Product Number	RWDDCD750N-50, P-Grade	Product Type	Double Ridge Waveguide Dual Directional Coupler
Waveguide	WRD750, FPWRD750 Rectangular Flange	Waveguide Body	Aluminum, grey painted
Coupled Port	N Female	Connector Body	Passivated stainless steel
Center Contact	Aluminum, electric conductive oxidation		
Housing	Grey paint		
Dimensions	307.9(L)×35(W)×35(H)mm	Net Weight	-



Microwave and Millimeter wave products
supplier

RFTOP® Technology Co., Ltd.
www.rftop.com service@rftop.com 86-755-88840350