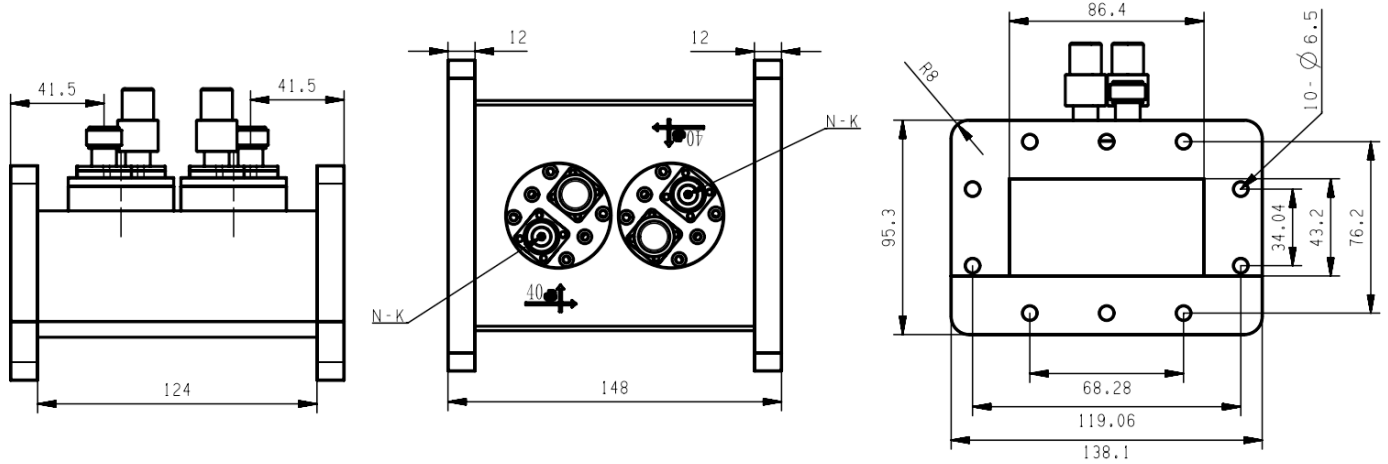


**WR340 Waveguide Dual Directional Ring Coupler, N Female Coupled Port, RWDCDR340N-40**  
**2.4-2.5GHz, Coupling 40dB, FDP26(UDR) Flange**

**Dimensions(mm) Tolerance±1%**



**Electrical & Environmental**

<b>Frequency Range</b>	2.4-2.5GHz	<b>Impedance</b>	50 Ohm
<b>VSWR Primary</b>	1.1 Max		
<b>VSWR Secondary</b>	1.2 Max		
<b>Insertion Loss</b>	dB Max		
<b>Directivity</b>	22dB Min		
<b>Nominal Coupling</b>	40±0.5dB		

**Mechanical & Product Information**

<b>Product Number</b>	RWDCDR340N-40, P-Grade	<b>Product Type</b>	Waveguide Dual Directional Ring Coupler
<b>Waveguide</b>	WR340(BJ26), FDP26(UDR) Flange	<b>Waveguide Body</b>	Aluminum, grey painted
<b>Coupled Port</b>	N Female	<b>Connector Body</b>	Passivated stainless steel
<b>Center Contact</b>	Aluminum, electric conductive oxidation		
<b>Housing</b>	Grey paint		
<b>Dimensions</b>	148(L)×138.1(W)×95.3(H)mm	<b>Net Weight</b>	-



Microwave and Millimeter wave products  
supplier

RFTOP® Technology Co., Ltd.  
[www.rftop.com](http://www.rftop.com) [service@rftop.com](mailto:service@rftop.com) 86-755-88840350