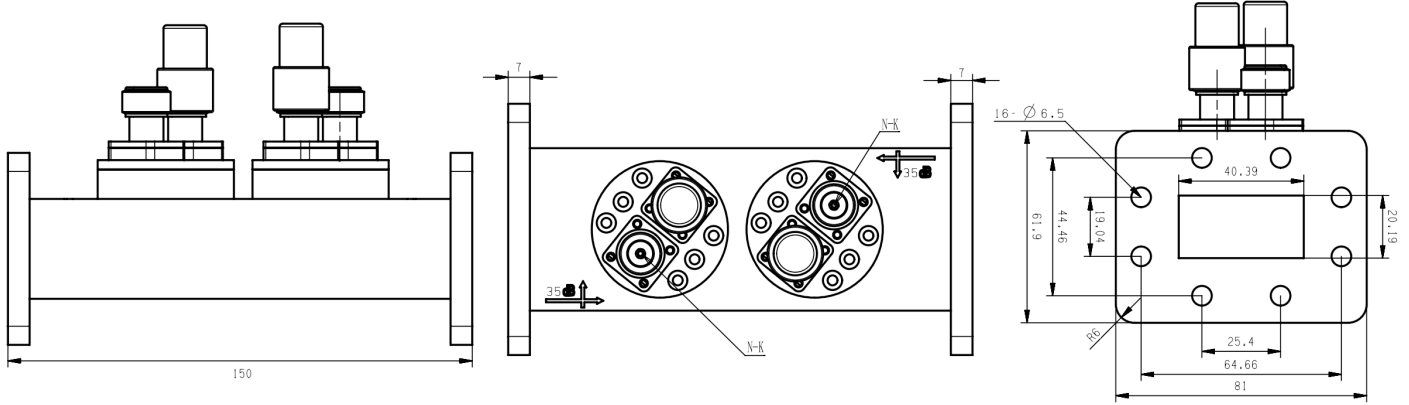


WR159 Waveguide Dual Directional Ring Coupler, N Female Coupled Port, RWDCDR159N-35
5.8-6.8GHz, Coupling 35dB, FDP58(UDR) Flange

Dimensions(mm) Tolerance±1%



Electrical & Environmental

Frequency Range	5.8-6.8GHz	Impedance	50 Ohm
VSWR Primary	1.1 Max		
VSWR Secondary	1.25 Max		
Insertion Loss	0.2dB Max		
Directivity	18dB Min		
Nominal Coupling	35±1.0dB		

Mechanical & Product Information

Product Number	RWDCDR159N-35, P-Grade	Product Type	Waveguide Dual Directional Ring Coupler
Waveguide	WR159(BJ58), FDP58(UDR) Flange	Waveguide Body	Aluminum, grey painted
Coupled Port	N Female	Connector Body	Passivated stainless steel
Center Contact	Aluminum, electric conductive oxidation		
Housing	Grey paint		
Dimensions	150(L)×81(W)×61.9(H)mm	Net Weight	-



Microwave and Millimeter wave products
supplier

RFTOP® Technology Co., Ltd.
www.rftop.com service@rftop.com 86-755-88840350