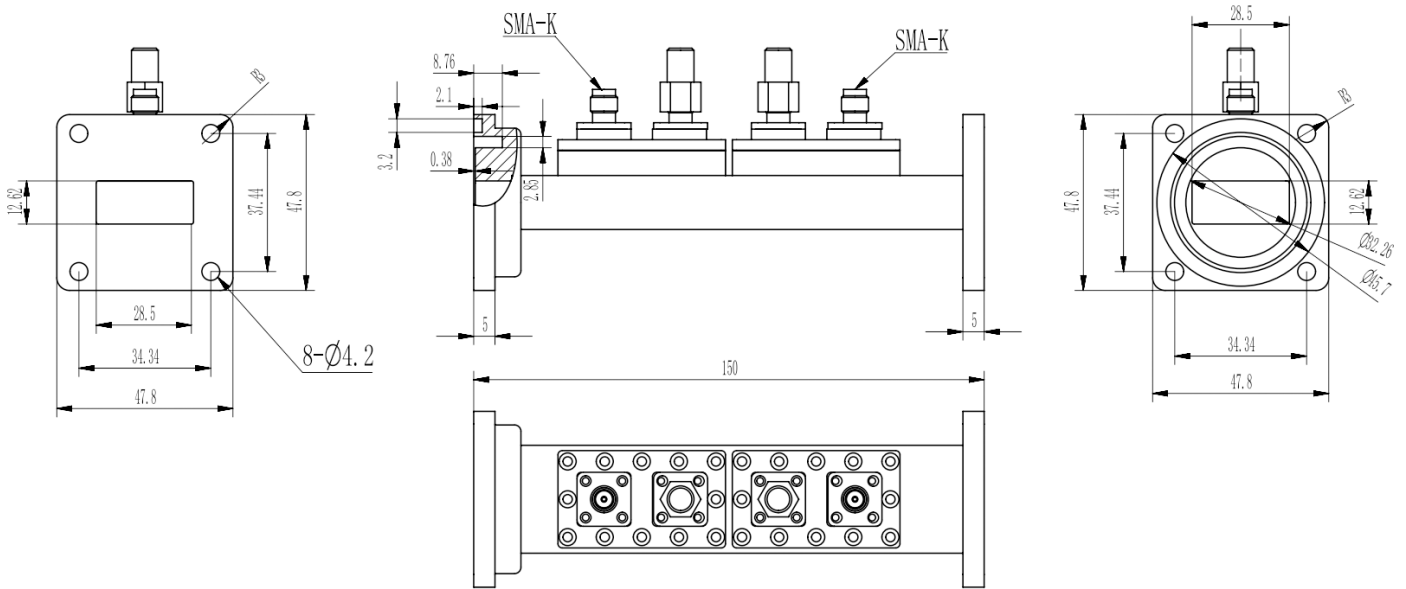


WR112 Waveguide Dual Directional Ring Coupler, SMA Female Coupled Port, RWDCDR112SFBE-50
6.57-9.9GHz, Coupling 50dB, FBE84(CBR) Flange

Dimensions(mm) Tolerance±1%



Electrical & Environmental

Frequency Range	6.57-9.9GHz	Impedance	50 Ohm
VSWR Primary	1.1 Max		
VSWR Secondary	1.3 Max		
Insertion Loss	dB Max		
Directivity	20dB Min		
Nominal Coupling	50±1.0dB		

Mechanical & Product Information

Product Number	RWDCDR112SFBE-50, P-Grade	Product Type	Waveguide Dual Directional Ring Coupler
Waveguide	WR112(BJ84), FBE84(CBR) Flange	Waveguide Body	Aluminum, grey painted
Coupled Port	SMA Female	Connector Body	Passivated stainless steel
Center Contact	Aluminum, pickling passivation		
Housing	Grey paint		
Dimensions	150(L)×47.8(W)×47.8(H)mm	Net Weight	-



Microwave and Millimeter wave products
supplier

RFTOP® Technology Co., Ltd.
www.rftop.com service@rftop.com 86-755-88840350