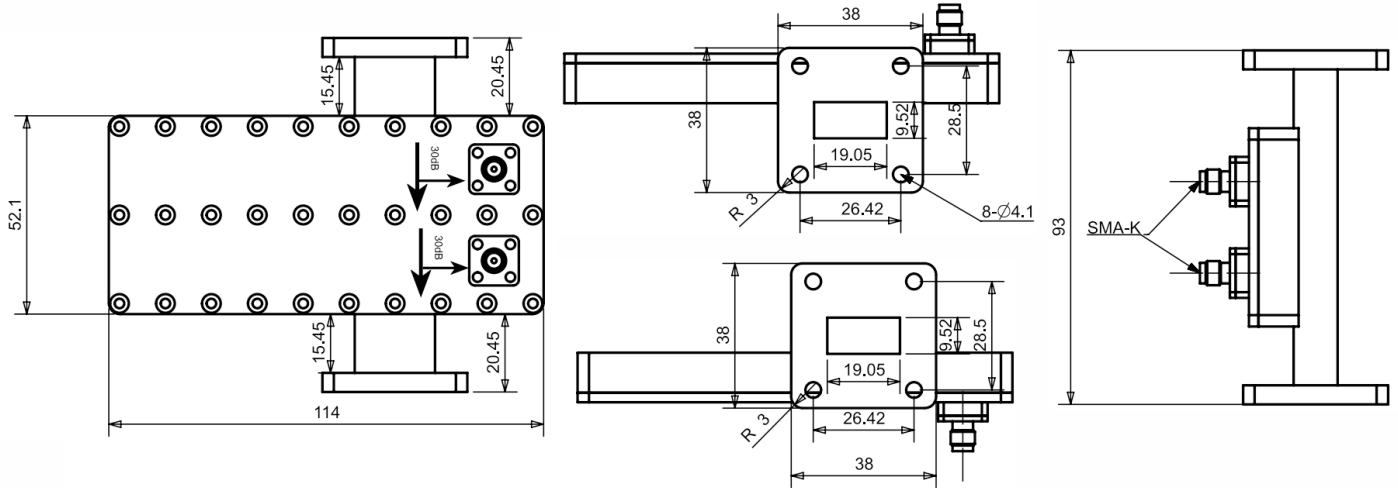


WR75 Waveguide Dual Directional Cross Coupler, SMA Female Coupled Port, RWDCDC75S-30

9.84-15GHz, Coupling 30dB, FBP120(UBR) Flange

Dimensions(mm) Tolerance $\pm 1\%$



Electrical & Environmental

Frequency Range	9.84-15GHz	Impedance	50 Ohm
VSWR Primary	1.1 Max		
VSWR Secondary	1.25 Max		
Insertion Loss	dB Max		
Directivity	15dB Min		
Nominal Coupling	30 \pm 1.5dB		

Mechanical & Product Information

Product Number	RWDCDC75S-30, P-Grade	Product Type	Waveguide Dual Directional Cross Coupler
Waveguide	WR75(BJ120), FBP120(UBR) Flange	Waveguide Body	Aluminum, grey painted
Coupled Port	SMA Female	Connector Body	Passivated stainless steel
Center Contact	Aluminum, electric conductive oxidation		
Housing	Grey paint		
Dimensions	114(L) \times 93(W)mm	Net Weight	-



Microwave and Millimeter wave products
supplier

RFTOP® Technology Co., Ltd.
www.rftop.com service@rftop.com 86-755-88840350