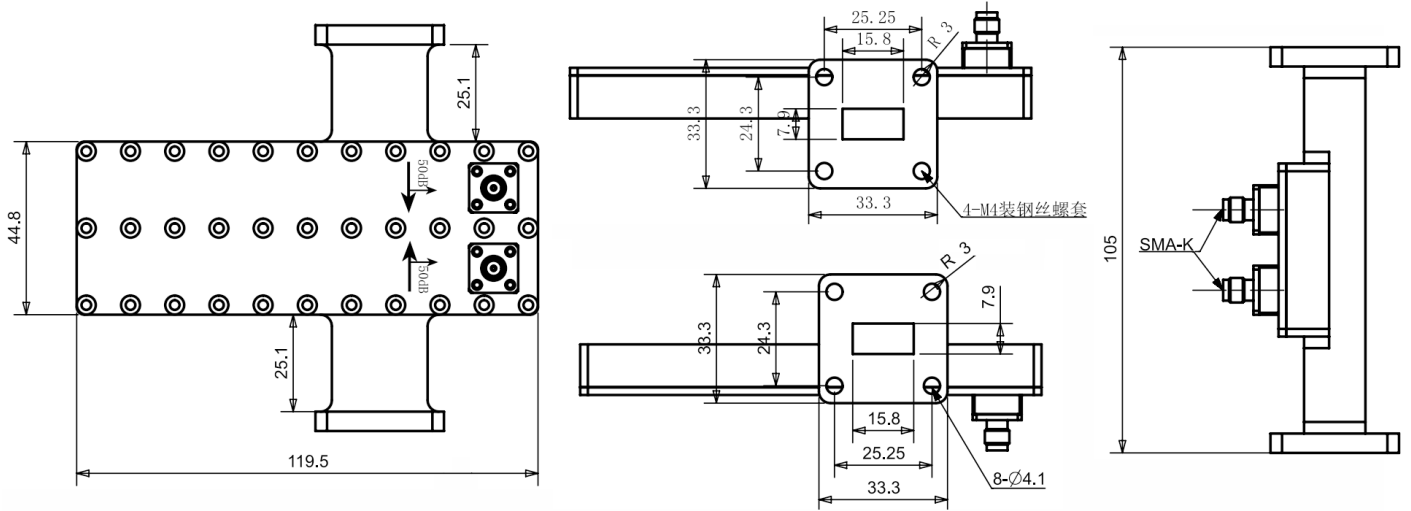


# WR62 Waveguide Dual Directional Cross Coupler, SMA Female Coupled Port, RWDCDC62S-50

## 16-17GHz, Coupling 50dB, FBP140(UBR) Flange

### Dimensions(mm) Tolerance±1%



### Electrical & Environmental

<b>Frequency Range</b>	16-17GHz	<b>Impedance</b>	50 Ohm
<b>VSWR Primary</b>	1.1 Max		
<b>VSWR Secondary</b>	1.25 Max		
<b>Insertion Loss</b>	dB Max		
<b>Directivity</b>	20dB Min		
<b>Nominal Coupling</b>	50±1.0dB		

### Mechanical & Product Information

<b>Product Number</b>	RWDCDC62S-50, P-Grade	<b>Product Type</b>	Waveguide Dual Directional Cross Coupler
<b>Waveguide</b>	WR62(BJ140), FBP140(UBR) Flange	<b>Waveguide Body</b>	Aluminum, grey painted
<b>Coupled Port</b>	SMA Female	<b>Connector Body</b>	Passivated stainless steel
<b>Center Contact</b>	Aluminum, electric conductive oxidation		
<b>Housing</b>	Grey paint		
<b>Dimensions</b>	119.5(L)×105(W)mm	<b>Net Weight</b>	-



Microwave and Millimeter wave products  
supplier

RFTOP® Technology Co., Ltd.  
[www.rftop.com](http://www.rftop.com) [service@rftop.com](mailto:service@rftop.com) 86-755-88840350