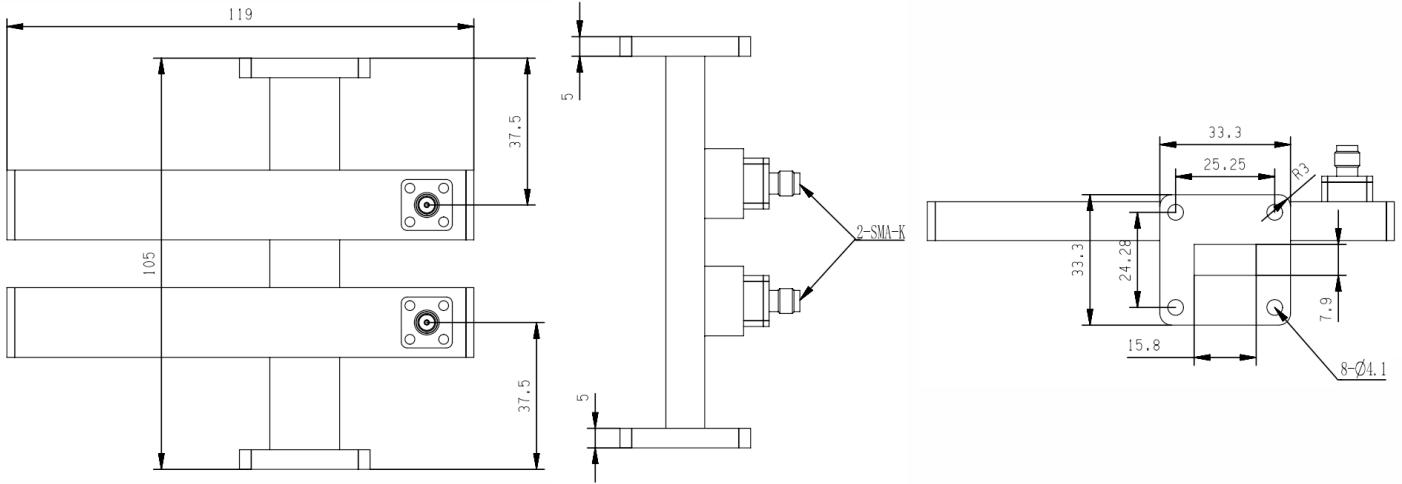


WR62 Waveguide Dual Directional Cross Coupler, SMA Female Coupled Port, RWDCDC62S-40

11.9-18GHz, Coupling 40dB, FBP140(UBR) Flange

Dimensions(mm) Tolerance $\pm 1\%$



Electrical & Environmental

Frequency Range	11.9-18GHz	Impedance	50 Ohm
VSWR Primary	1.1 Max		
VSWR Secondary	1.3 Max		
Insertion Loss	0.1dB Max		
Directivity	20dB Min		
Frequency Sensitivity	± 1.5 dB		
Nominal Coupling	40 ± 1.5 dB		

Mechanical & Product Information

Product Number	RWDCDC62S-40, P-Grade	Product Type	Waveguide Dual Directional Cross Coupler
Waveguide	WR62(BJ140), FBP140(UBR) Flange	Waveguide Body	Aluminum, grey painted
Coupled Port	SMA Female	Connector Body	Passivated stainless steel
Center Contact	Aluminum, electric conductive oxidation		
Housing	Grey paint		
Dimensions	119(L) \times 105(W)mm	Net Weight	-



Microwave and Millimeter wave products
supplier

RFTOP® Technology Co., Ltd.
www.rftop.com service@rftop.com 86-755-88840350