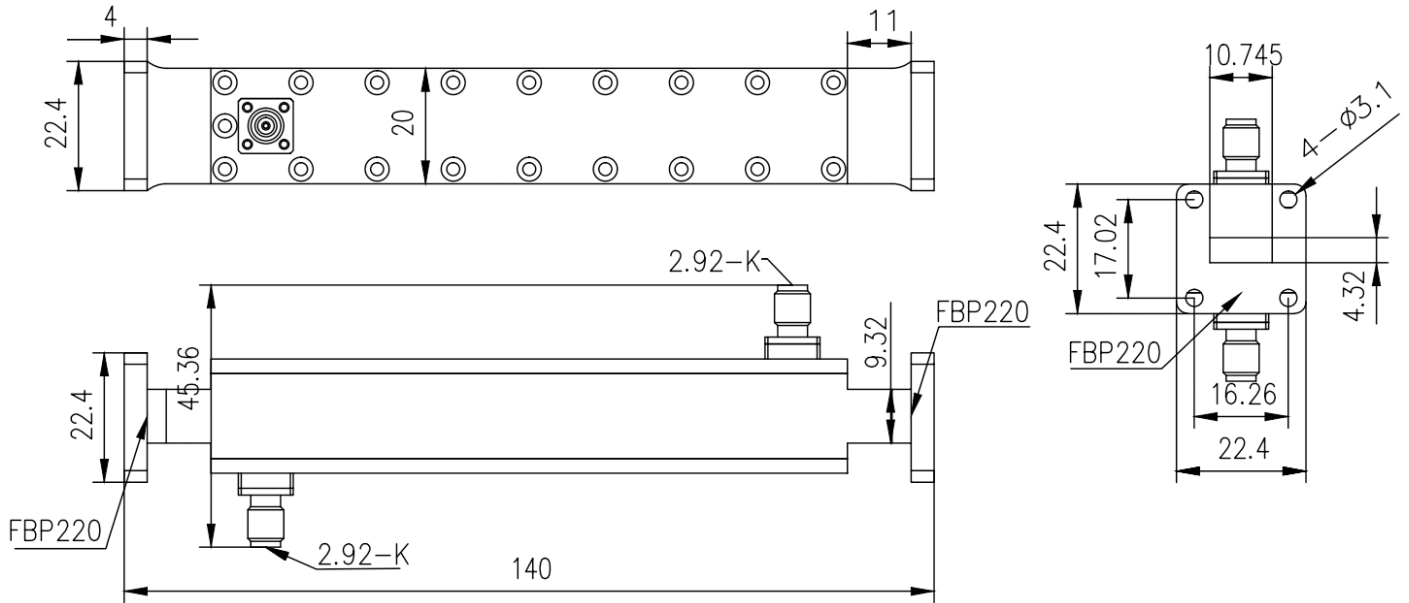


WR42 Waveguide Dual Directional Coupler, 2.92mm Female Coupled Port, RWDCD42K-40
17.6-26.7GHz, Coupling 40dB, FBP220(UBR) Flange

Dimensions(mm) Tolerance±1%



Electrical & Environmental

Frequency Range	17.6-26.7GHz	Impedance	50 Ohm
VSWR Primary	1.1 Max		
VSWR Secondary	1.3 Max		
Insertion Loss	0.15dB Max		
Directivity	20dB Min		
Frequency Sensitivity	±1.0dB		
Nominal Coupling	40±1.0dB		

Mechanical & Product Information

Product Number	RWDCD42K-40, P-Grade	Product Type	Waveguide Dual Directional Coupler
Waveguide	WR42(BJ220), FBP220(UBR) Flange	Waveguide Body	Aluminum, grey painted
Coupled Port	2.92mm Female	Connector Body	Passivated stainless steel
Center Contact	Aluminum, electric conductive oxidation		
Housing	Grey paint		
Dimensions	140×22.4×22.4mm	Net Weight	-



Microwave and Millimeter wave products
supplier

RFTOP® Technology Co., Ltd.
www.rftop.com service@rftop.com 86-755-88840350