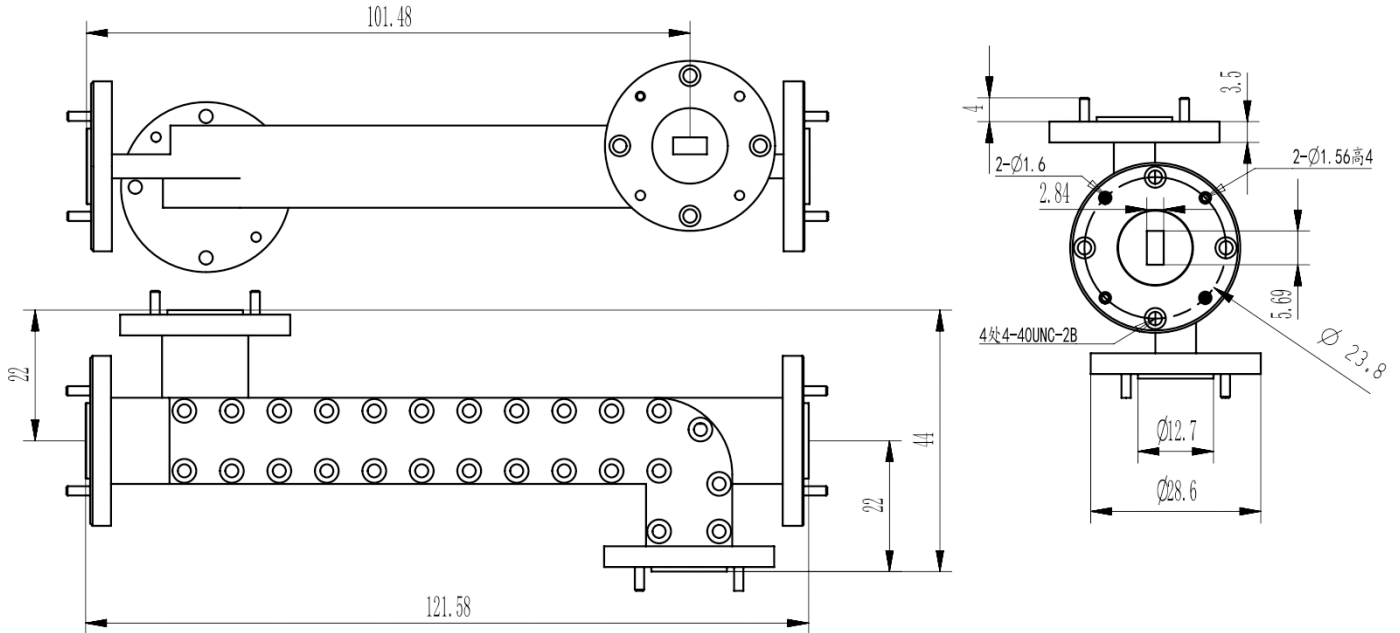


WR22 Waveguide Dual Directional Coupler, RWDCD22-30 32.9-50.1GHz, Coupling 30dB, FUGP400 Circular Flange

Dimensions(mm) Tolerance±1%



Electrical & Environmental

Frequency Range	32.9-50.1GHz	Impedance	50 Ohm
VSWR Primary	1.1 Max		
VSWR Secondary	1.15 Max		
Insertion Loss	dB Max		
Directivity	27dB Min		
Nominal Coupling	30±1.0dB		

Mechanical & Product Information

Product Number	RWDCD22-30, P-Grade	Product Type	Waveguide Dual Directional Coupler
Waveguide	WR22(BJ400), FUGP400 Circular Flange	Waveguide Body	Copper, gold plated
Center Contact	Copper, gold plated		
Housing	Copper, gold plated		
Dimensions	121.58(L)×28.6(φ)mm	Net Weight	-