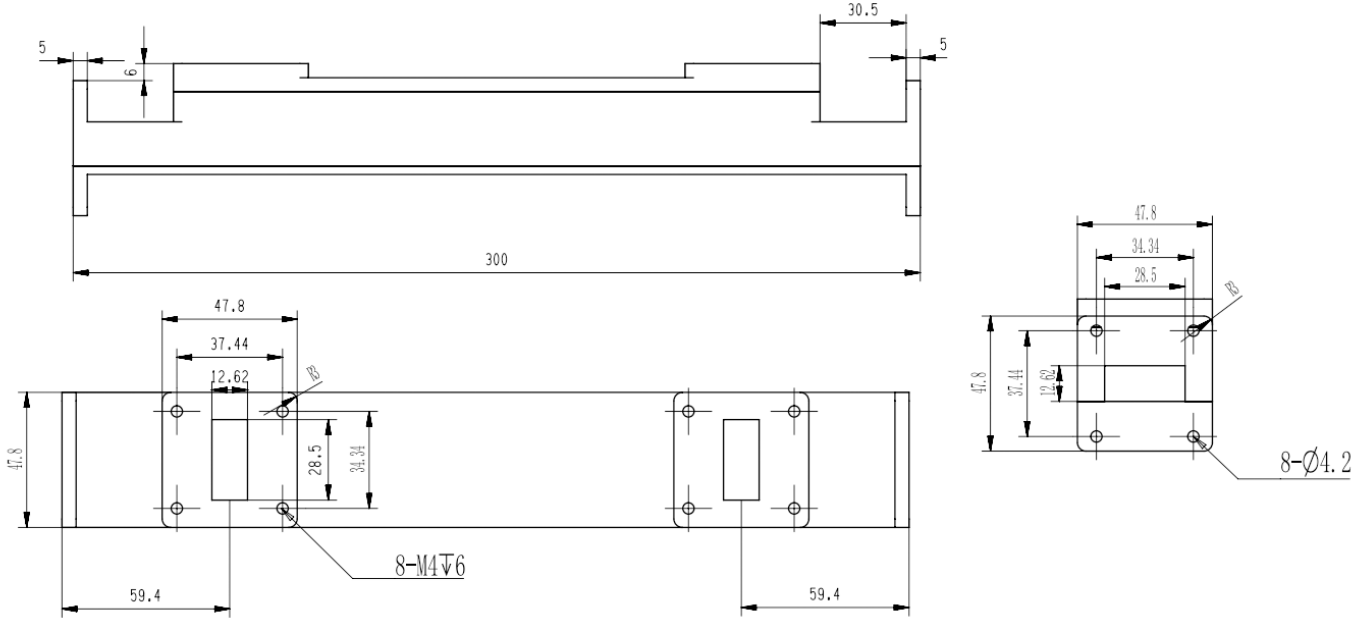


## WR112 Waveguide Dual Directional Coupler, RWDCD112-25 6.57-9.99GHz, Coupling 25dB, FBP84(UBR) Flange

### Dimensions(mm) Tolerance±1%



### Electrical & Environmental

<b>Frequency Range</b>	6.57-9.99GHz	<b>Impedance</b>	50 Ohm
<b>VSWR Primary</b>	1.1 Max		
<b>VSWR Secondary</b>	1.25 Max		
<b>Insertion Loss</b>	dB Max		
<b>Directivity</b>	30dB Min		
<b>Nominal Coupling</b>	25±1.0dB		

### Mechanical & Product Information

<b>Product Number</b>	RWDCD112-25, P-Grade	<b>Product Type</b>	Waveguide Dual Directional Coupler
<b>Waveguide</b>	WR112(BJ84), FBP84(UBR) Flange	<b>Waveguide Body</b>	Aluminum, grey painted
<b>Center Contact</b>	Aluminum, electric conductive oxidation		
<b>Housing</b>	Grey paint		
<b>Dimensions</b>	300×47.8×47.8mm	<b>Net Weight</b>	-