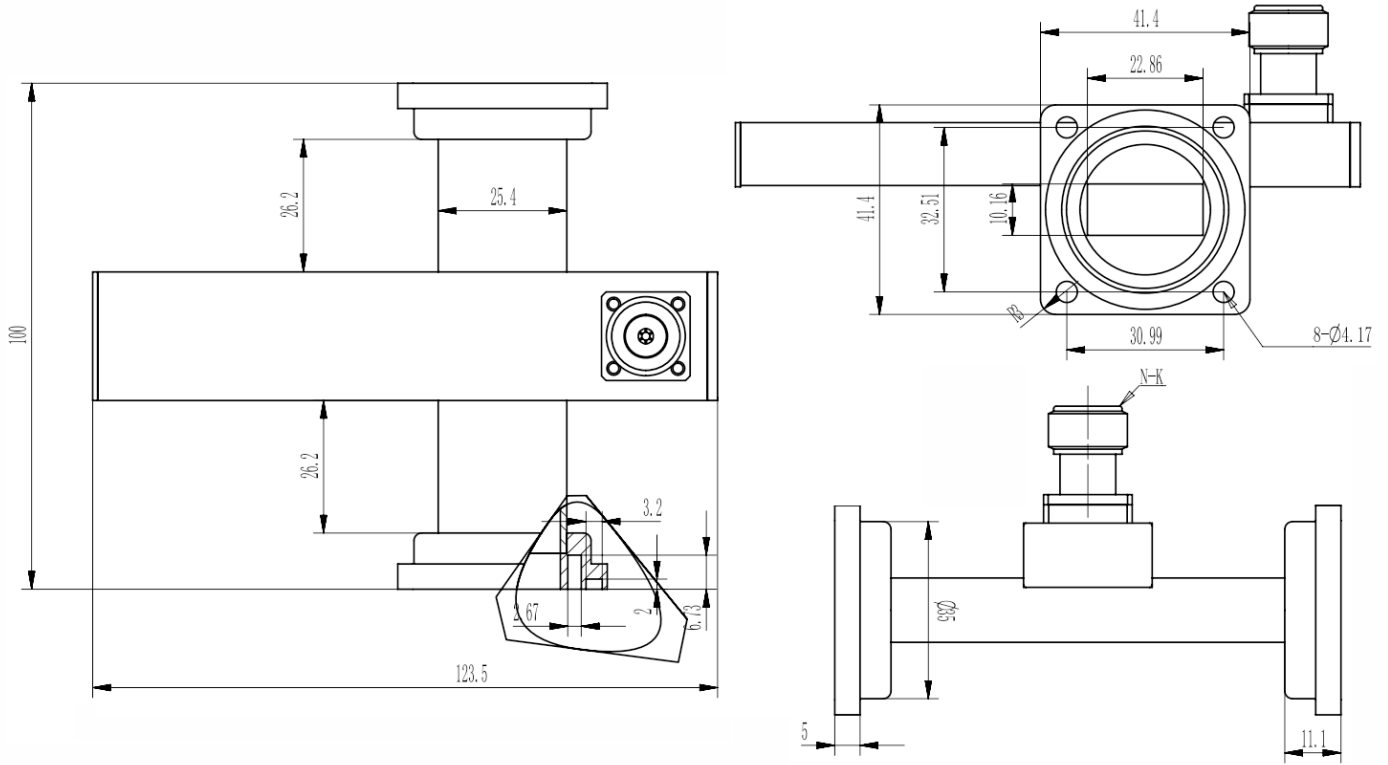


WR90 Waveguide Directional Cross Coupler, N Female Coupled Port, RWDCC90NG-40

9.25-9.55GHz, Coupling 40dB, FBM100(PBR) Flange

Dimensions(mm) Tolerance±1%



Electrical & Environmental

Frequency Range	9.25-9.55GHz	Impedance	50 Ohm
VSWR Primary	1.1 Max		
VSWR Secondary	1.25 Max		
Insertion Loss	dB Max		
Directivity	20dB Min		
Nominal Coupling	40±0.2dB		

Mechanical & Product Information

Product Number	RWDCC90NG-40, P-Grade	Product Type	Waveguide Directional Cross Coupler
Waveguide	WR90(BJ100), FBM100(PBR) Flange	Waveguide Body	Aluminum, grey painted
Coupled Port	N Female	Connector Body	Passivated stainless steel
Center Contact	Aluminum, electric conductive oxidation		
Housing	Grey paint		
Dimensions	123.5(L)×100(W)mm	Net Weight	-



Microwave and Millimeter wave products
supplier

RFTOP® Technology Co., Ltd.
www.rftop.com service@rftop.com 86-755-88840350