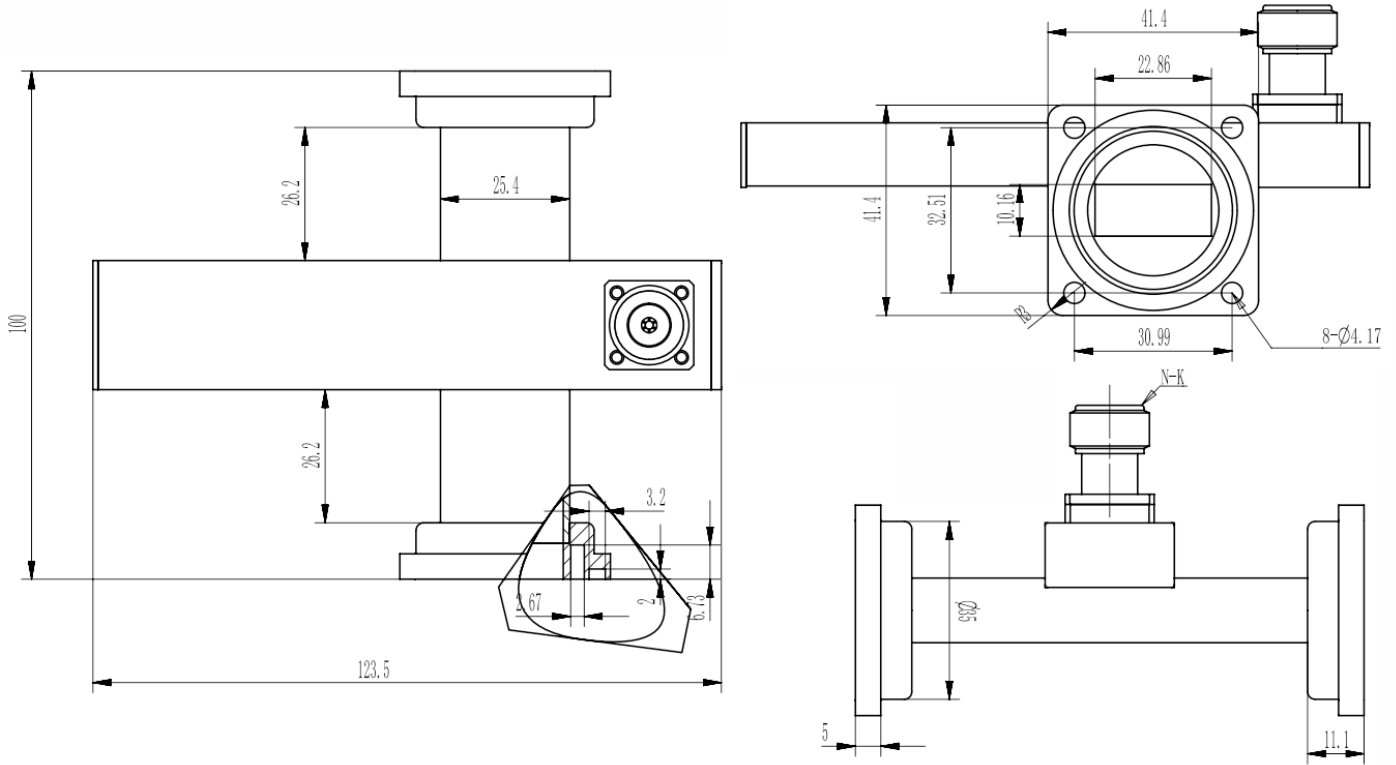


## WR90 Waveguide Directional Cross Coupler, N Female Coupled Port, RWDCC90NG-20

### 9.25-9.55GHz, Coupling 20dB, FBM100(PBR) Flange

#### Dimensions(mm) Tolerance $\pm 1\%$



#### Electrical & Environmental

<b>Frequency Range</b>	9.25-9.55GHz	<b>Impedance</b>	50 Ohm
<b>VSWR Primary</b>	1.1 Max		
<b>VSWR Secondary</b>	1.25 Max		
<b>Insertion Loss</b>	dB Max		
<b>Directivity</b>	20dB Min		
<b>Nominal Coupling</b>	20 $\pm$ 0.2dB		

#### Mechanical & Product Information

<b>Product Number</b>	RWDCC90NG-20, P-Grade	<b>Product Type</b>	Waveguide Directional Cross Coupler
<b>Waveguide</b>	WR90(BJ100), FBM100(PBR) Flange	<b>Waveguide Body</b>	Aluminum, grey painted
<b>Coupled Port</b>	N Female	<b>Connector Body</b>	Passivated stainless steel
<b>Center Contact</b>	Aluminum, electric conductive oxidation		
<b>Housing</b>	Grey paint		
<b>Dimensions</b>	123.5(L) $\times$ 100(W)mm	<b>Net Weight</b>	-



Microwave and Millimeter wave products  
supplier

RFTOP® Technology Co., Ltd.  
[www.rftop.com](http://www.rftop.com) [service@rftop.com](mailto:service@rftop.com) 86-755-88840350